



Cite this: DOI: 10.1039/c8se00039e

A new approach to the identification of high-potential materials for cost-efficient membrane-based post-combustion CO₂ capture†

Simon Roussanaly,^{ID}*^a Rahul Anantharaman,^{ID}^a Karl Lindqvist^{ID}^{ab}
and Brede Hagen^a

Developing “good” membrane modules and materials is a key step towards reducing the cost of membrane-based CO₂ capture. While this is traditionally being done through incremental development of existing and new materials, this paper presents a new approach to identify membrane materials with a disruptive potential to reduce the cost of CO₂ capture for six potential industrial and power generation cases. For each case, this approach first identifies the membrane properties targets required to reach cost-competitiveness and several cost-reduction levels compared to MEA-based CO₂ capture, through the evaluation of a wide range of possible membrane properties. These properties targets are then compared to membrane module properties which can be theoretically achieved using 401 polymeric membrane materials, in order to highlight 73 high-potential materials which could be used by membrane development experts to select materials worth pushing towards further development once practical considerations have been taken into account. Beyond the identification of individual materials, the ranges of membrane properties targets also show the strong potential of membrane-based capture for industrial cases in which the CO₂ content in the flue gas is greater than 11%, and that considering CO₂ capture ratios lower than 90% would significantly improve the competitiveness of membrane-based capture and lead to potentially significant cost reduction. Finally, it is important to note that the approach discussed here is applicable to other separation technologies and applications beyond CO₂ capture, and could help reduce both the cost and time required to develop cost-effective technologies.

Received 24th January 2018

Accepted 2nd March 2018

DOI: 10.1039/c8se00039e

rsc.li/sustainable-energy

1 Introduction

Carbon capture and storage (CCS) is a key technology to limit the impact of anthropogenic CO₂ emissions from the power generation sector and industry.^{1,2} It has been a focus of research and development efforts for several decades.^{3,4} However, in order to reach the deployment ambitions, the cost of CCS needs to be further reduced, with a special emphasis on the CO₂ capture part of the chain. In order to significantly reduce the cost of CO₂ capture, the combined development of advanced capture technologies and materials is essential. For membrane-based CO₂ capture, one of the most promising emerging capture technologies,^{3,5} this means developing “good” membrane modules and materials. This aspect has conventionally been addressed by many strong international research groups through incremental improvements in permeance from membrane modules

with moderate to very high selectivity, based on initial material selection, and educated guesses regarding desired properties.^{6–11} However, in order to create a disruptive reduction in cost of membrane-based capture, it is important to identify a range of membrane properties, appropriate for the application, which can compete with conventional CO₂ capture technologies and further reduce costs.¹² Recently, similar approaches have been suggested for solvent-based CO₂ capture.^{13–15} These systematic methodologies enable researchers to provide recommendations, feedbacks and targets on the best combinations of material properties for specific CO₂ capture cases, thus supporting a rapid and cost-efficient development of the technologies under consideration.

Even though membrane processes are conceptually straightforward, complex and highly integrated multi-stage membrane process layouts are frequently required to meet desired product purity and targeted capture ratio. This results in multiple process design and operation decisions to be considered in order to ensure a suitable driving force for separation and to minimize the cost of such membrane systems considering the optimal trade-offs between the separation work and membrane area requirements. Two main approaches have been considered in the literature to design membrane systems.

^aSINTEF Energy Research, Sem Sælandsvei 11, NO-7465 Trondheim, Norway. E-mail: simon.roussanaly@sintef.no; Fax: +47 73597250; Tel: +47 47441763

^bNorwegian University of Science and Technology, Department of Energy and Process Engineering, NO-7491 Trondheim, Norway

† Electronic supplementary information (ESI) available. See DOI: 10.1039/c8se00039e



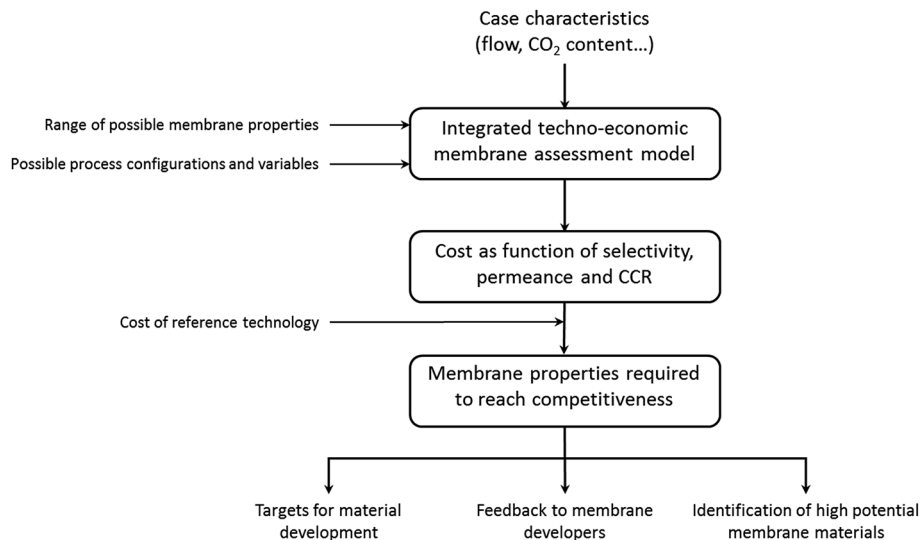


Fig. 1 Integrated techno-economic assessments approach to membrane-based CO₂ capture.

The first type is parametric sensitivity-based approaches in which a parametric sensitivity study for a single stage membrane process is performed in order to identify “optimal” process operating points and membrane area for the first stage of the process.^{16–20} The focus is, typically, on minimising energy consumption. The results obtained from the first stage are used to perform a parametric sensitivity analysis for the second stage of the membrane. The results from the second stage are then checked to ensure that product purity requirements are met and that a suitable design has been achieved. If not, the process is repeated until the required specifications are met. The cost of the membrane system is calculated at the end using a suitable cost model; if it is too high, the process is repeated. The advantage of this approach lies in the visual representation of each membrane stage used in the design process, which improves the understanding of the effects of individual process parameters. The disadvantages are that costs are calculated at the end of the design process when in fact the design trade-off between pressure ratio and membrane area is directly related to costs. Furthermore, feedback related to membrane development are also be inconsistent, complex and time-consuming.

The second type of approach is optimisation-based approaches in which the membrane process is optimised based on a superstructure that includes many possible combinations of flowsheet connections and is normally formulated as a Non-Linear Program (NLP) or a Mixed-Integer Non-Linear Program (MINLP).^{21–23} There is usually no interaction with the designer in the design process. The advantage of this methodology is that it can potentially identify an optimal membrane and system for given feed composition while including all relevant process schemes in the superstructure. However, on the other hand, it leads to little process insight and consequently little feedback that can be given towards membrane development. Moreover, this approach usually results in complex process configurations.⁷

Due to the limitations of existing approaches to the design of membrane systems, a novel systematic methodology for the consistent design of post-combustion membrane systems, called the attainable region methodology, has been developed.^{12,24,25} This approach has been applied to the design of membrane systems for CO₂ capture from cement plants²⁵ and is shown to result in better designs than those available in the literature.²⁶

This paper presents a new approach to identify membrane materials with a disruptive potential to reduce the cost of CO₂ capture for both the power generation sector and the industry as shown in Fig. 1. Furthermore, this paper also uses the attainable region methodology to establish targets on combinations of membrane properties required for post-combustion membrane-based CO₂ capture to compete with the reference solvent CO₂ capture technology. These membrane properties can then be used as basis for material development, provide feedback to membrane developers and identify high potential membrane materials. To reach this goal, the cost of membrane-based CO₂ capture is optimised and compared to the reference capture technology for a wide combination of membrane properties, as previously illustrated for a coal power plant case at 90% CO₂ capture ratio‡ (CCR).¹²

In order to identify the full potential of membrane-based capture, six industrial and power generation cases are considered. While the CO₂ capture ratio is often set to 90%, or higher, based on experience from solvent technologies, recent literature has shown that considering lower CCRs could reduce costs in the case of membrane-based capture.^{7,27,28} With this perspective, membrane properties are identified for a conventional 90% CCR case, and for cases taking into consideration the potential of lower CCRs. Finally, the combinations of membrane properties obtained are used to provide feedback regarding suitable polymeric materials that could lead to membrane-based

‡ Defined as the amount of CO₂ captured over the amount of CO₂ in the flue gas.



Table 1 Characteristics of the industrial and power generation cases

Basis	Industrial case considered	Refinery					
		FG ²⁹	LSFO ²⁹	FCC ²⁹	Cement plant ³⁰	Steel plant ³¹	Coal power plant ³²
Wet	Feed flue gas mass flow [t _{wet} h ⁻¹]	282	484	216	348	1965	2706
	CO ₂ concentration [% _{wet,vol}]	8.1	11.3	16.6	20.2	27.2	14.6
Dry	Feed flue gas mass flow [t _{dry} h ⁻¹]	248	452	203	333	1893	2644
	CO ₂ concentration [% _{dry,vol}]	9.9	12.6	26.1	22	29.1	15.2

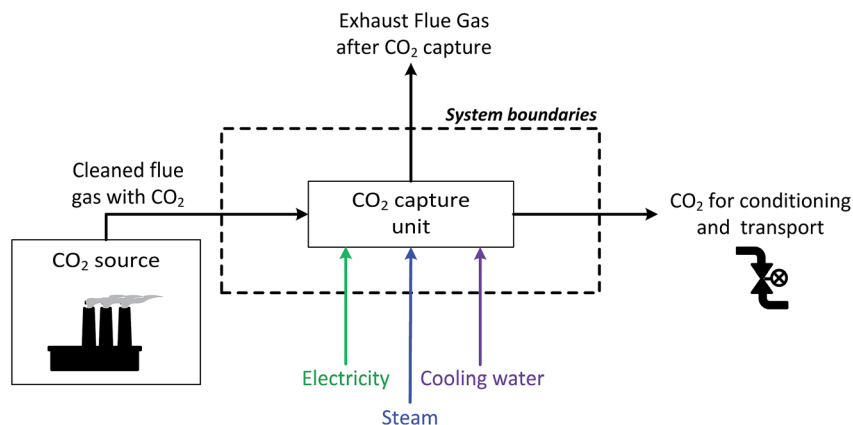


Fig. 2 Schematic view of the system boundaries for the industrial cases.†

capture processes that are cost-competitive with solvent-based capture.

2 Methodology

2.1 Study concept and system boundaries

This study aims to identify the membrane properties necessary and, subsequently, suitable polymeric materials for membrane-based separation to be cost-competitive with the reference technology (MEA-based absorption) for post-combustion CO₂ capture. In order to evaluate the full potential of the membrane-based CO₂ capture, six industrial and power generation cases with the characteristics shown in Table 1 are considered: three refinery cases, a cement production plant, a steel plant, and a coal-fired power plant.

The three refinery cases are based on CO₂ capture from different units of a high conversion refinery with a crude capacity of 350 000 barrel per stream day (BPSD).²⁹ The first case, called “Refinery FG”, considers CO₂ capture of the CO₂ emissions of the combustion of sweet refinery off-gas associated with the two catalytic reformers of the refinery and accounts for around 10% of the emission of the refinery. The second refinery case, called “Refinery LSFO”, considers capture of the CO₂ emissions from the combustion of low sulphur fuel oil (LSFO) associated with the two crude distillation units of the refinery

and which is responsible for around 21% of the refinery’s emissions. The third refinery case, called “Refinery FCC”, is based on capture from two fluid catalytic cracker units of the refinery and represents 11.5% of the refinery’s emissions. The cement case is based on CO₂ capture from the flue gas of a cement plant with a clinker capacity of 3000 tonne per day as defined by the CEMCAP EU project.³⁰ Finally, the steel case is based on CO₂ capture from the hot stoves and power plant flue gases of a steel mill producing annually 4 million tons of hot rolled coil (HRC) as defined by the IEAGHG.³¹ These two sources are the largest CO₂ emitting units of the steel mill, and produce 67% of the steel mill emissions. The coal-fired power plant case is based on CO₂ capture from the exhaust flue gas of an advanced SuperCritical pulverized fuel power plant with a net power output of 754 MWe without CCS as presented in the European Benchmarking Task Force report.³²

Recent literature shows that lower CCRs can significantly decrease the CO₂ avoidance cost of membrane-based CO₂ capture,²⁸ while solvent-based capture is often considered to be more cost-effective at CCR above 90%.³⁰ Hence, the influence of CCR on the membrane properties required for cost-competitive CO₂ capture must be taken into account to assess the full potential of membrane-based CO₂ capture. The common 90% CCR assumption is therefore treated as the base case in this work, while the membrane processes are also evaluated for CCRs between 50–90% to identify the cost-optimal operating point and cost-reduction potential. It is worth noting that CCRs below 50% are not considered as it is assumed that a certain scale of each capture unit is needed to make CCS projects worthwhile and impactful.

† It is worth noticing that in some cases, a share of the steam and electricity required by the CO₂ capture process may be produced within the industrial plant through, for example, heat recovery from high temperature sources or excess electrical power respectively.



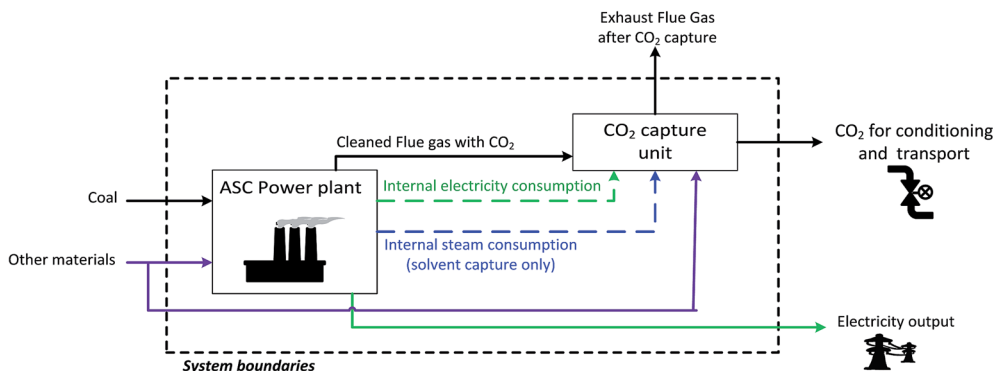


Fig. 3 Schematic view of the system boundaries for the power generation case.

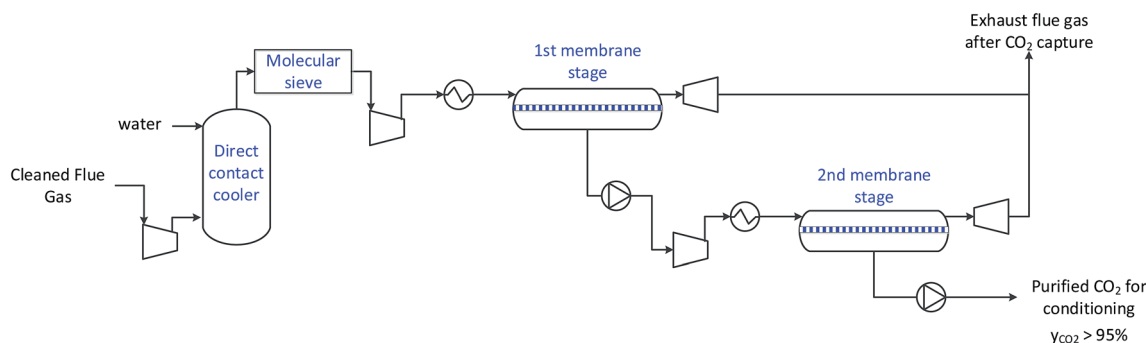


Fig. 4 Principal layout of the stage-wise membrane separation process for a two stages system.^{††}

Finally, two sets of system boundaries are considered as shown in Fig. 2 and 3. In the case of the industry cases, it is not necessary to include the industrial plant in the assessment, as the implementation of CCS does not affect the plant production.³³ Therefore, in these cases, the assessment starts when the cleaned flue gas from the CO₂ source is sent to the CO₂ capture unit, where CO₂ is removed from the flue gas using a membrane-based or MEA-based process. The captured CO₂, with a purity of at least 95%, is then sent for conditioning and pipeline export,^{34,35} while the rest of the flue gas is vented. Meanwhile, in the case of the coal power plant, as the electricity and steam consumed by the CO₂ capture unit are produced by the power plant, the power plant needs to be included in the system boundaries, as shown in Fig. 3.

2.2 Technical modelling of CO₂ capture technologies

2.2.1 Membrane-based CO₂ capture. The membrane based CO₂ capture processes evaluated in this study are derived from membrane cascade process flowsheets, as shown for a two-stage configuration in Fig. 4. In this process, the wet flue gas is first cooled through a direct contact cooler and dried through 3 Å molecular sieves before it enters the membrane system, in order to avoid water permeation through the membrane. CO₂ is enriched through a number of membrane stages (one, two or three stages) as the permeable component, up to a purity of at least 95 mol%. The driving force for separation is provided by feed gas compressors and permeate vacuum pumps. In order to

ensure energy-efficient capture, part of the energy spent in feed compression is recovered through retentate expanders. While the CO₂ product is obtained as the permeate stream from the last membrane stage and is then sent to CO₂ conditioning and transport, the retentate stream from each membrane stage is vented as exhaust gas after expansion. It is worth noting that “complex” flowsheet configurations with sweeps,[¶] recycles or heat integrations are not considered here, so that the results obtained are not limited to greenfield applications, but may be used for retrofit on existing infrastructure.

The membrane module is modelled as a binary component separator in cross-flow configuration with negligible mixing on the permeate side.³⁶ Change of composition along the feed side of the membrane is taken into account but pressure drops on either side of the membrane are neglected. The use of a binary component model is justified by the fact that the vast majority of experimental and evaluation work has been done on binary (CO₂/N₂) mixtures and very often reports only this selectivity.^{6,7,36} While there are a few studies considering multi-component gas mixtures,^{37,38} it is beyond the scope of this work to try to extrapolate these results to membranes with vastly different properties. Oxygen and minor components are lumped together

^{††} One- and three-stage systems uses one fewer or more membrane separation units.

[¶] Membrane configurations including sweep often result in space intensive ducting as well as modification of the industrial plant (for example modification of the power plant boiler) which can be challenging for retrofit cases.



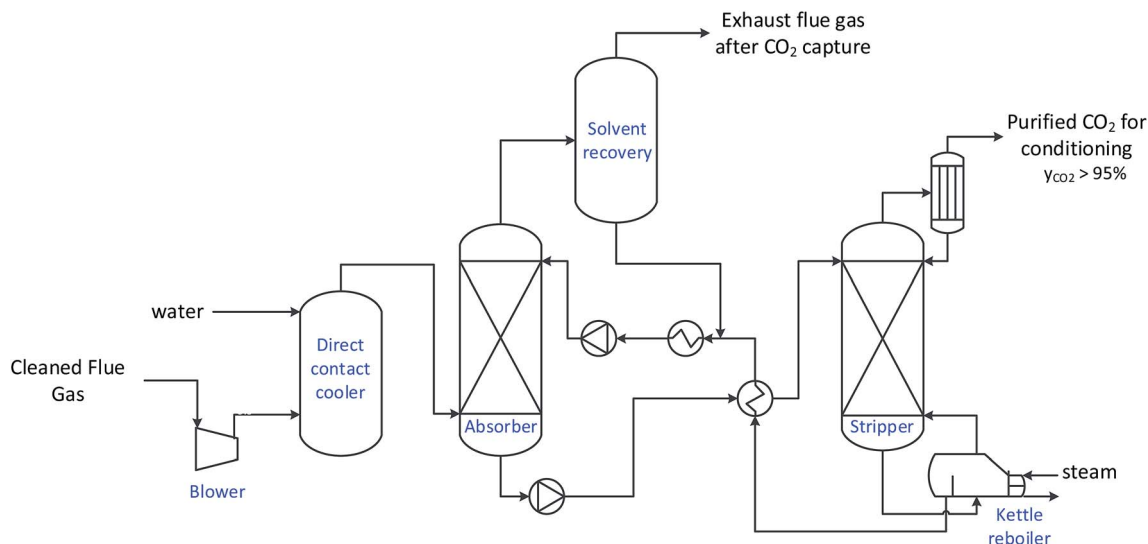


Fig. 5 Layout of the MEA-based CO₂ capture process.⁴²

with nitrogen. Rotating equipment are set as isentropic expansion or compressions of an ideal gas combined with an isentropic efficiency of 80%. The assumption of negligible pressure drops on each membrane side is a common one,³⁶ although admittedly restrictive. This is particularly true on the permeate side where even a small pressure drop will incur a large change in absolute pressure due to the lower permeate side pressure (typically vacuum conditions). It should be noted that the pressure drop is intrinsically linked to the membrane module design and manufacturing (*e.g.* length of hollow fibres and the flow pattern), and this information is rarely available for membranes in the research stage. Additionally recent studies have shown that membrane module selectivity is not a constant as is usually considered in estimating membrane system performance in literature.^{38,39} In light of this, the results of this work should be interpreted as the general trend of required module membrane performance required to compete with MEA.

To identify the range membrane properties required for membrane-based process to be cost-competitive with post-combustion MEA-based CO₂ capture, membrane properties in the following ranges are evaluated: 5 to 200 for CO₂/N₂ selectivity and 0.25 to 15 m_(STP)³ (m² h bar)⁻¹ in terms of CO₂ permeance.** The membrane separation process (number of stages and operating conditions for each stage) is optimised for each combination of selectivity and permeance according to the attainable region approach. The methodology and numerical model, previously described and illustrated in detail,^{12,24,25,28} minimise the CO₂ avoided cost by considering the detailed investment and operating costs of a membrane-based process rather than focusing only on energy efficiency. More details on the membrane process design and characteristics resulting from the approach used here are illustrated in previously published studies.^{25,40} This model optimises and assesses the CO₂ avoided cost of the membrane process for each of the six cases, the 2400 combinations of

membrane properties, and the CO₂ capture ratios considered. The cost results obtained are finally compared with the reference MEA-based capture technology to identify which combination of properties would lead to a cost-competitive membrane process.

2.2.2 MEA-based CO₂ capture. With several plants under operation and demonstration, solvent-based capture is the most mature technology for CO₂ capture. As is common in literature, an absorption process based on monoethanolamine (MEA) is treated here as the reference CO₂ capture technology to benchmark the membrane-based processes.

In the MEA-based process, the exhaust flue gas is first pressurised to compensate the pressure drops inherent to the process. The exhaust is then cooled through a direct contact cooler before passing through a packed absorption column, in which the CO₂ present in the flue gas is absorbed in a 30% wt MEA aqueous solvent. While the absorbed CO₂ is recovered chemically bound to the solvent at the bottom of the absorber (CO₂-rich solvent), the flue gas after absorption also goes through a water-wash packing section in order to limit water and solvent makeups, as well as solvent emissions to the atmosphere. Meanwhile, the CO₂-rich solvent is pumped and pre-heated to 120 °C through a heat exchanger by the regenerated lean solvent, before being sent to the top of the stripper. In order to break the chemical bound between the CO₂ capture

Table 2 Data for cost evaluation of the membrane-based capture¹²

Parameter	Value
Compressor (first stage) [€ per kW]	920
Compressor (second stage) [€ per kW]	510
Expander [€ per kW]	570
Vacuum pump [€ per kW]	800
Cooler [€ per m ²]	370
Membrane module [€ per m ²] ³⁶	40
Reference module cost [k€]	286
Reference module area [m ²]	2000
Reference pressure [bar]	55

|| A minimum permeate pressure of 0.2 bar is here considered.

** 1000 GPU is equivalent to 2.7 m_(STP)³ (m² h bar)⁻¹.



Table 3 Cost data related to utilities consumption

Case	Industrial cases	Coal power plant case
Purchased electricity cost [€ per MWh]	58.1 (ref. 30)	—
LCOE of the power plant without CCS [€ per MWh]	—	63.3 (ref. 12 and 32)
Climate impact of electricity [g _{CO₂} per MWh]	306.4 (ref. 30)	763 (ref. 32)
Steam cost [€ per GJ]	7 (ref. 30)	—
Climate impact of steam [kg _{CO₂} per GJ]	56.9 (ref. 30)	—
Cooling water supply	Seawater cooling	Cooling tower
Cooling water temperature increase constrain [°C]	10	10
Cooling water cost [€ per m ³]	0.025 (ref. 41)	0.21 ^a
MEA make-up cost [€ per kg _{MEA}]	1300 (ref. 32)	1300 (ref. 32)

^a Estimated based on the cost of cooling towers and a water makeup of 3% at a cost of 0.39 € per m³ water makeup.

and solvent as well as maintain the regeneration in the stripper, a significant amount of heat is provided to the stripper by a reboiler. The vapour from the stripper is then cooled to separate water, while the purified CO₂ is sent to conditioning and transport. Finally, the lean solvent recovered at the bottom of the stripper is cooled through the heat exchanger and a cooler to enhance the absorption process before being pumped back to the top of the absorber.

It is important to note that the steam required in the regeneration process can be provided by various means.³⁰ Here, in order to represent the most representative scenarios in each case, the steam required by the stripper is assumed, in the power plant case, to correspond to low pressure steam extracted from the power plant, while it is assumed to be provided by natural gas boilers in the industrial cases (Fig. 5).

More information on the details of the MEA-based process considered can be found in previously published studies.^{41,42}

2.3 Cost evaluation methodology

The cost estimates used and generated in this study are developed to be representative of Nth of a kind plants and are given in 2014 Euro prices. The investment cost data not directly available in 2014 prices are updated following the Chemical Engineering Plant Cost Index⁴³ and the European Power Capital Costs Index excluding nuclear power^{††} for the capture processes and the power plant respectively, while the utilities costs are updated based on an average annual inflation rate of 1.7%.¹²

2.3.1 Investment costs. A bottom up approach is here adopted to evaluate the investments of the CO₂ capture processes. In this approach, the direct cost of each item of equipment, in the appropriate material, are estimated using Aspen Process Economic Analyzer® based results from the technical modeling. However, the membrane module cost is assessed following the cost adopted by Zhai and Rubin³⁶ (see Table 2), and the framework cost is assessed following the Van der Sluijs *et al.* equation⁴⁵ updated by Roussanaly *et al.*²⁴ to reflect the influence of the module design pressure,§§ as shown in eqn (1). The total

investment costs are then obtained by multiplying the sum of the direct costs with an indirect cost factor of 1.31.³²

It is worth noting that for membrane-based capture, regressed linear direct cost functions (see Table 2) are used for each item of equipment¹² as the numerical membrane model optimises the process to minimise the overall costs.

$$\text{Direct cost}_{\text{membrane framework}} = \text{reference framework cost} \left(\frac{\text{module area}}{2000} \right)^{0.7} \left(\frac{\text{module pressure}}{55} \right)^{0.875} \quad (1)$$

2.3.2 Operating costs. The annual fixed operating costs comprise of replacement of materials, maintenance, insurance and labour costs, and are set to 6% of the investment costs.²⁴ In order to take the degradation of the membrane over time into account, an annual replacement of 20% of the membrane module area is considered, with a cost of 8 €₂₀₁₄ per m².¶¶³⁶

The variable operating costs cover consumption of utilities such as water, electricity, steam and solvent make-up, and are based on the estimated consumptions of utilities and the cost data shown in Table 3. In practice, it is important to note that the cost of some utilities, such as electricity, steam and cooling are expected to differ between the industrial cases and the power generation case.

In the industrial cases, electricity is expected to be purchased from the European grid, while steam is assumed to be produced by a natural gas boiler at the industrial site.³⁰ It is worth noting that in practice different steam supply scenarios (in terms of source, cost and climate impact) for solvent regeneration may be achievable and would hence impact the cost of solvent based CO₂ capture as illustrated in Roussanaly *et al.*³⁰ Optimal steam supply scenarios for solvent-based capture is however highly specific to combination of type of industry, production process, local characteristics and are therefore not considered in the present work.

However, in the power generation case, the electricity and steam consumptions associated with CO₂ capture decrease

†† The EPCCI tracks and forecasts the costs associated with the construction of a portfolio of power generation plants in Europe, and is thus an indicator of the market price of the power plants.

§§ It is worth noting that an upper limit of 25 000 m² of membrane area per module is used in order to avoid unrealistically large modules.

¶¶ Zhai and Rubin suggested a replacement cost five times lower than the module investment cost.



the net power output of the plant. Therefore, in such a case, the CO₂ capture need to be optimised and assessed taking into account its impact on the levelised cost of electricity (LCOE) and climate impact of the power plant, as described in detail previously.¹²

2.3.3 Key performance indicators. The CO₂ capture cost is used here as a Key Performance Indicator (KPI) in order to optimise the membrane process and compare the two capture technologies.

For the power generation case, as the cost of electricity is an output of the power plant with CCS design,³³ the CO₂ capture cost needs to be calculated according to the equation presented by Rubin⁴⁶ and shown in eqn (2).

$$\text{CO}_2 \text{ capture cost} = \frac{(\text{LCOE})_{\text{CCS}} - (\text{LCOE})_{\text{ref}}}{(t_{\text{CO}_2 \text{ per MWh}})_{\text{ref}} - (t_{\text{CO}_2 \text{ per MWh}})_{\text{CCS}}} \quad (2)$$

where

- (LCOE)_{CCS} and (LCOE)_{ref} are the LCOEs of the plant with and without CCS [€ per MWh].
- (t_{CO₂ per MWh})_{CCS} and (t_{CO₂ per MWh})_{ref} are the CO₂ emission rate of the plant with and without CCS [t_{CO₂ per MWh}].

For the industrial cases, the CO₂ capture cost can be calculated by dividing the annualised costs of capture by the annualised amount of CO₂ avoided (see eqn (3)).³³ The annualised amount of CO₂ avoided is defined as the amount of CO₂ captured minus the

direct CO₂ emissions associated with the steam and electricity consumption of the CCS infrastructure. Including the direct CO₂ emissions is especially important as the direct CO₂ emissions associated with steam and electricity consumption can significantly vary between the two capture technologies.⁴⁰

CO₂ capture cost =

$$\frac{\text{annualised investment} + \text{annual operating cost}}{\text{annualised amount of CO}_2 \text{ avoided}} \quad (3)$$

In both cases, the CO₂ capture cost is calculated for a discount rate of 8% and an economic lifetime of 25 years.³² In addition, the investment costs assume that construction is spread over a three-year period (with a 40/30/30 allocation).³²

3 Results

3.1 Performances of the reference capture technology

In order to validate the results of the reference MEA-based capture process before comparing the two CO₂ capture technologies, the technical and cost performances of the reference technology (MEA-based CO₂ capture) are presented here for a 90% CCR. While the main technical performances of this capture process can be found in Table 4 for the different cases considered, the CO₂ capture cost and its breakdown are displayed in Fig. 6. When looking at the different cases, the cost evaluation shows that the

Table 4 Characteristics and performances of the MEA-based CO₂ capture process

Parameter	Refinery			Cement plant	Steel plant	Coal power plant
	FG	LSFO	FCC			
Wet feed flue gas mass flow [t _{wet} h ⁻¹]	282	484	216	348	1965	2706
CO ₂ concentration [% _{wet,vol}]	8.1	11.3	16.6	20.2	27.2	14.6
Electricity consumption [kWh per t _{CO₂,captured}]	35.8	26.0	18.0	14.9	11.3	21.6
Steam consumption [GJ per t _{CO₂,captured}]	3.46	3.35	3.26	3.22	3.18	3.3
MEA make-up [kg _{MEA} per t _{CO₂,captured}]	1.83	1.37	0.99	0.85	0.68	1.16
CO ₂ capture cost [€ per t _{CO₂,avoided}]	68.7	57.6	56.1	49.2	42.0	43.0

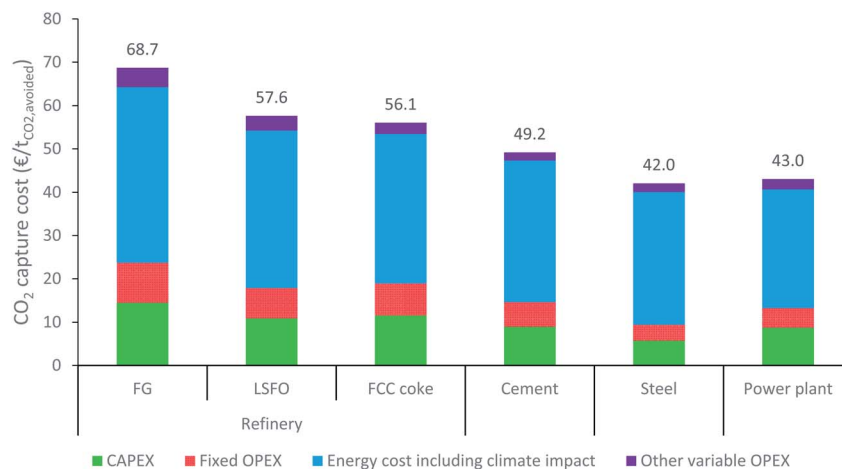


Fig. 6 Cost breakdown of the MEA-based CO₂ capture process.



CO₂ capture cost varies between 69 and 42 € per t_{CO₂,avoided}. It is worth noting that these numbers may appear to be slightly lower than those often presented in the literature^{47,48} as the cost of conditioning before transport, which typically adds around 10 € per t_{CO₂,avoided},³⁵ are not included. As observed in the literature,^{42,49} the CO₂ capture cost decreases non-linearly as the CO₂ concentration increases.|||| This decrease is due to a reduction in both steam and electricity consumption, as well as a reduction in investment costs, and therefore fixed operating cost, with the CO₂ concentration in the flue gas. Furthermore, as is frequently illustrated in the literature,^{30,42,47} the cost of energy consumption is the main contributor (60–75%) to the CO₂ capture cost.

Regarding the coal power plant case, it is worth noting that the CO₂ capture cost obtained is significantly below than those of the industrial cases in the same range of CO₂ concentrations. The main reason for this discrepancy is linked to the lower steam cost in the power plant case. Suitable steam is available in coal power plants at a significantly lower production cost than in an industrial plant.³⁰ This lower cost of steam is estimated to reduce the CO₂ capture cost in the power plant by approximately 13 € per t_{CO₂,avoided} compared to a case in which the steam would be produced by natural gas boiler. Due to this variation in steam production cost, the coal power plant can be expected to advantage CO₂ capture technologies which require steam, like solvent-based capture, while the industrial cases can be expected to be more suited to CO₂ capture technologies which do not require steam, like membranes.

3.2 Comparison of capture technologies at 90% CO₂ capture ratio

Costs of membrane-based CO₂ capture compared to post-combustion MEA-based capture at 90% CCR is presented in Fig. 7 over the range of considered membrane properties and for the six cases considered. As a wide range of membrane properties are evaluated, membrane permeance and selectivity are displayed using the X- and Y-axis while the relative cost is represented using colour coded areas (see colour bar in figure). In these graphical representations, the bluer the combination of membrane properties is, the more cost-competitive the membrane-based capture is. In contrast, the redder the combination of membrane properties is, the more cost-competitive MEA-based capture is. It is worth noting that due to potential changes in the number of stages between combinations of membrane properties, coarse separation between areas may be obtained.

In the refinery fuel gas case, the results displayed in Fig. 7(a) show that only a narrow range of membrane properties can result in a process cost-competitive with MEA-based capture, and that the potential cost reduction remains limited. Indeed, permeances of at least 2.5 m_(STP)³ (m² h bar)⁻¹ with high selectivity or selectivities of at least 40 with high permeance are required for membrane-based capture to become cost-competitive with MEA-based capture. Furthermore, the cost

reduction potential of membrane-based capture remains below 30%, even for membranes with both high permeance and high selectivity.

However, as the concentration of CO₂ in the flue gas increases, the range of membrane properties which can result in a cost competitive process compared to MEA-based capture expands rapidly and a significant cost-reduction can be achieved, as illustrated in Fig. 7(b) to (e). This is especially true for the refinery FCC, cement and steel cases, in which a very wide range of membrane properties can achieve large cost reductions in CO₂ capture costs compared to an MEA-based process. Indeed, in both the refinery FCC and cement cases, permeances as low as 1 m_(STP)³ (m² h bar)⁻¹ with medium to high selectivities or selectivities as low as 25 with medium to high permeance can result in membrane-based processes able to achieve at least 30% cost reduction compared to MEA. In these two cases, membrane-based processes can achieve cost reductions beyond 50% for membrane permeances higher than 4.5–6 m_(STP)³ (m² h bar)⁻¹ and selectivities higher than 50–60. For the steel case, the cost comparison shows that the vast majority of combinations of membrane properties can achieve cost reduction in CO₂ capture cost beyond 50%.

Meanwhile, for the coal power plant case, a more limited range of membrane properties results in processes capable of competing with MEA-based capture, and limited cost reductions can be achieved. Indeed, due to the lower cost of steam in this case, the MEA-based process has an advantage over a membrane process. The evaluation shows that to reach competitiveness, permeances higher than 3 m_(STP)³ (m² h bar)⁻¹ with medium to high selectivities or selectivities higher than 45 with medium to high permeances are required. However, reductions in CO₂ capture cost between 10 and 30% can be achieved with permeances higher than 6 m_(STP)³ (m² h bar)⁻¹ with high selectivity or selectivities higher than 80 with high permeances.

Overall, at 90% CCR, the results show that membrane-based capture have a strong potential to be competitive and provide good cost-reduction potential for industrial cases with CO₂ content above 11%. Moreover, the higher the CO₂ content, the wider the range of membrane properties which can result in a cost-competitive process and the stronger the cost-reduction potential is. However, as shown through the coal power plant case, the cost of steam production can have a significant impact on the range of membrane properties required to reach competitiveness.

4 Discussions

4.1 Comparison of capture technologies at optimal CO₂ capture ratios

Although the long-term goal of carbon capture and storage is to achieve CCRs of at least 90% in order to significantly reduce the climate impact of industry and power generation sources, considering lower CCRs in early deployment stages could reduce implementation costs in terms of both absolute and normalised costs. This is especially the case for membrane-based CO₂ capture as highlighted by recent literature.^{7,27,28,50} It

|||| It is worth noting that the amount of flue gas varies significantly between cases and that there are thus also variations in economies of scale between cases.



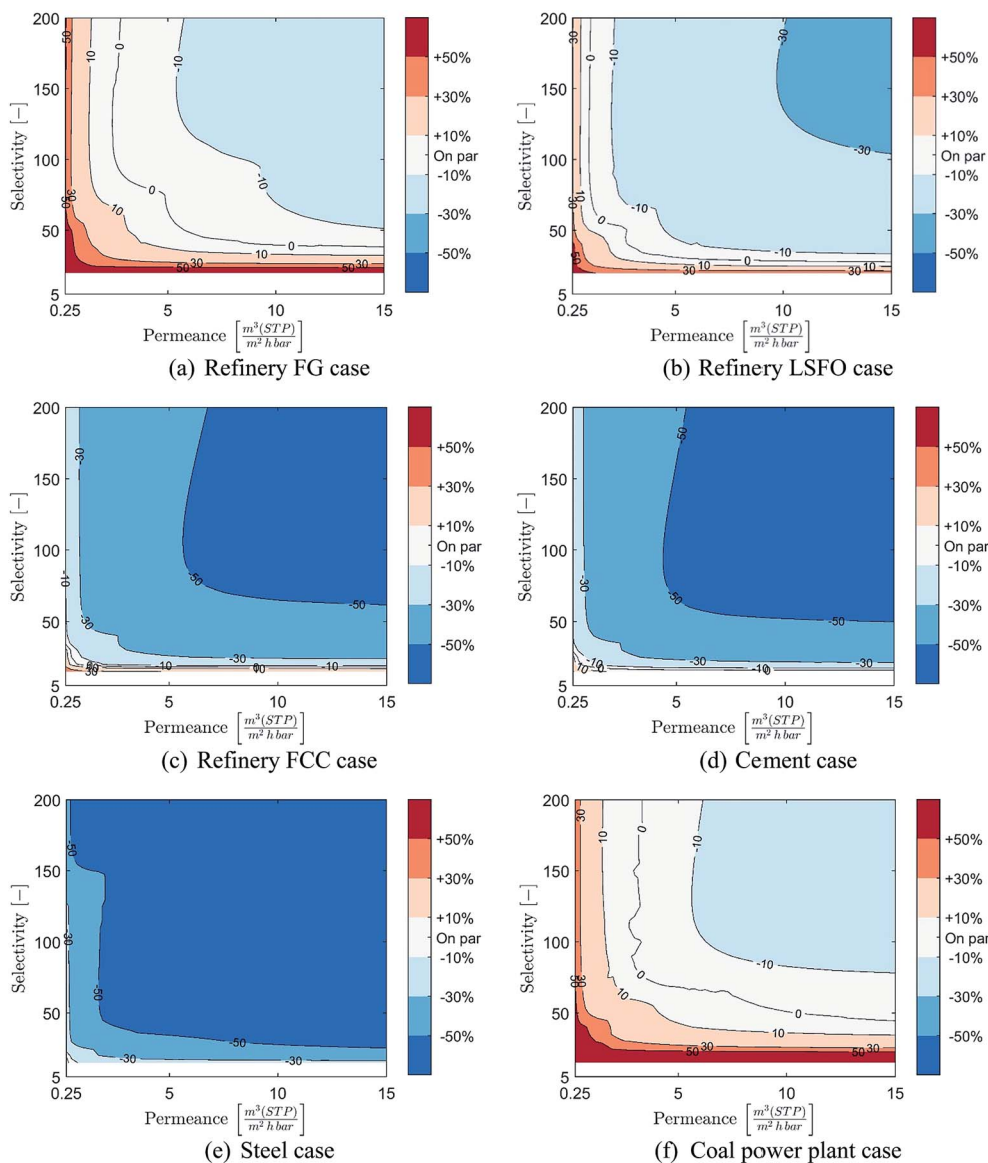


Fig. 7 Cost of membrane-based CO₂ capture compared to post-combustion MEA-based capture at a 90% CCR depending on the membrane properties for the six cases considered: (a) refinery FG (b) refinery LSFO (c) refinery FCC (d) cement (e) steel (f) coal power plant.

is therefore important to investigate the impact of considering CCRs below 90% on the range of membrane properties required to compete with MEA-based CO₂ capture. As solvent-based capture does not benefit from lower CCRs, the cost of membrane-based capture at cost-optimal CCRs is compared (in € per t_{CO₂} avoided) to the CO₂ capture cost of MEA-based capture at 90% CCR. It is worth noting that, in the case of membrane-based CO₂ capture, the cost-optimal CCR and associated cost reductions compared to 90% CCR are highly dependent on the membrane properties and the specific case being considered.²⁸

The costs of membrane-based CO₂ capture at optimal CCRs compared to MEA-based capture are displayed in Fig. 8 over the range of membrane properties considered earlier and for the six cases considered. The optimal CCRs of the membrane process and associated cost-reduction for the different membrane

properties are presented in Appendix A. The results show that considering CCRs lower than 90% can significantly benefit membrane-based CO₂ capture. Lower CCRs greatly increase the range of membrane properties which can result in processes that are cost-competitive with MEA-based capture, as well as offering opportunities for major reductions in costs. Indeed, in all six cases, the vast majority of membrane properties would result in capture processes which can be cost-competitive with MEA-based capture. Furthermore, for the industrial cases with CO₂ concentrations above 11% (refinery fuel oil, refinery FCC, cement and steel cases), most of the membrane properties can result in capture processes that are capable of achieving at least 30% cost reduction compared to MEA-based capture. This cost reduction potential is even stronger in cases with a CO₂ concentration higher than 16% (refinery FCC, cement and steel



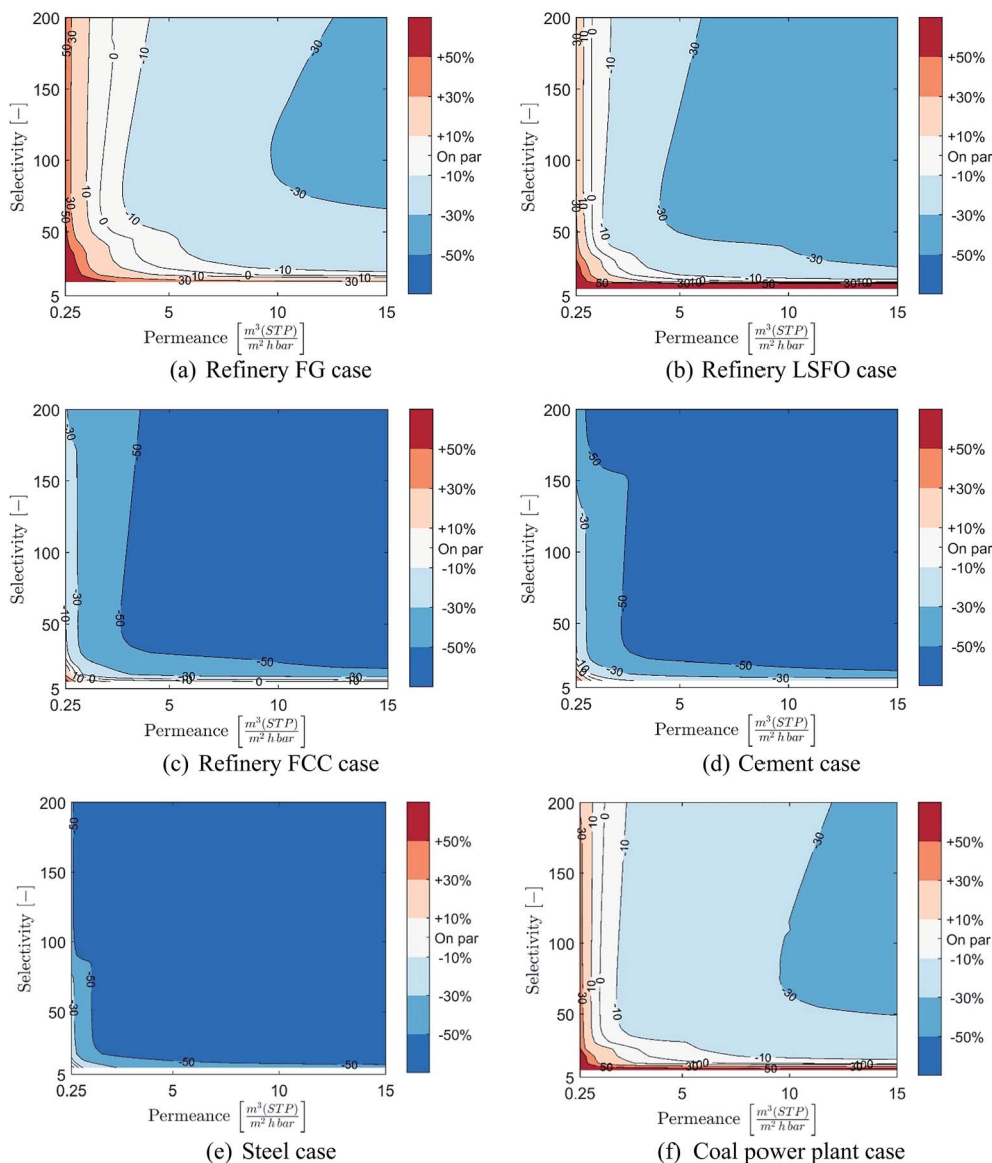


Fig. 8 Cost of membrane-based CO₂ capture at optimal CCRs compared to post-combustion MEA-based capture depending on the membrane properties for the six cases considered: (a) refinery FG (b) refinery LSFO (c) refinery FCC (d) cement (e) steel (f) coal power plant.

cases), as most of the membrane properties can achieve a cost reduction greater than 50%.

For the coal power plant case, considering CCRs lower than 90% can also significantly increase the potential of membrane-based CO₂ capture, as shown in Fig. 8(f). However, due to the low CO₂ capture cost of the MEA process in this case, only limited cost savings can be achieved with membrane-based capture, unless membranes with high permeances and medium to high selectivity are used.

All in all, these results show that considering CCRs lower than 90% for membrane-based CO₂ capture can significantly increase its cost-competitiveness compared to MEA-based capture, as both a wide range of membrane properties can be considered and significant cost reduction can be achieved. Hence, in the early stages of deployment, considering membrane-based CO₂ capture with CCRs below 90% may be a good strategy for kick-

starting large-scale CCS deployment, especially from industrial CO₂ sources, at both low absolute and normalised costs. Furthermore, although this is not investigated here, hybrid processes based on the combination of membrane and another technology (absorption, low-temperature...)^{51,52} could further increase the potential of membrane for CO₂ capture.

4.2 Material perspective

This section illustrates how the membrane properties targets identified in Sections 3.2 and 4.1 are used to identify polymeric materials which could be used to develop membranes with high potential for CO₂ capture from industry and power generation. Here, the focus is set on diffusion-based polymeric materials, since relevant material properties (selectivity and permeability) have been reported in the literature for a large number of materials. Focusing on the material properties gathered by



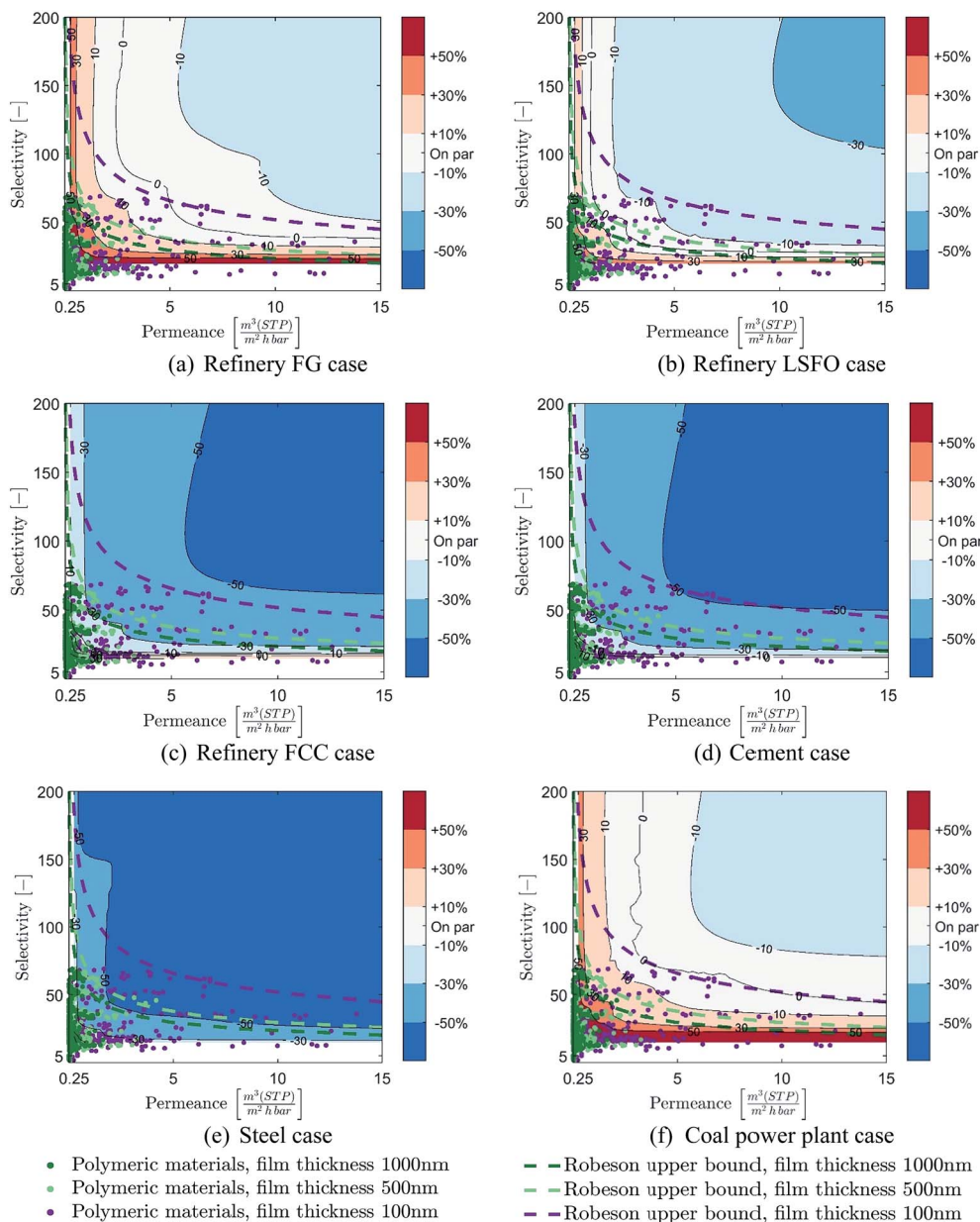


Fig. 9 Membrane properties required for cost-competitive membrane CO₂ capture, including the upper bound limitations and membrane material data for a 90% CCR and the six cases considered: (a) refinery FG (b) refinery LSFO (c) refinery FCC (d) cement (e) steel (f) coal power plant.

Powell *et al.*⁵³ and Scholes *et al.*,⁵⁴ 401 diffusion-based polymeric materials are evaluated in this paper.^{***} Furthermore, the Robeson upper bound approach,⁵⁵ which links the maximum selectivity which can be achieved for a given permeability, is also evaluated in order to assess the full potential of diffusion-based membranes.††† As both the material data and the upper bound approach refer to permeability, which is

^{***} It is worth noting that in practice millions of membrane materials could be considered however, compiling a reliable list of these materials goes far beyond the focus of the present study.

††† It should be emphasised that the present paper does not assess the full potential of all polymeric membranes for post-combustion capture, as the recent research focus is on trying to breach the Robeson upper bound through various approaches.

a material characteristic, rather than permeance, which is a membrane module characteristic, the thickness of the polymeric material layer needs to be assumed.‡‡‡ Three thicknesses are evaluated in order to represent both state-of-the art and thicknesses that are normally achievable by membrane development experts:^{56,57} 100 nm, 500 nm and 1 μm. Membrane thicknesses below 100 nm are not considered in this work. Indeed, the permeance and selectivity of thin films (below 100 nm) can be difficult to predict as they depend on the selective layer thickness, as well as the characteristics of

‡‡‡ This work assumes a linear relationship between the membrane thickness and permeance, while this may not be the case in practise.



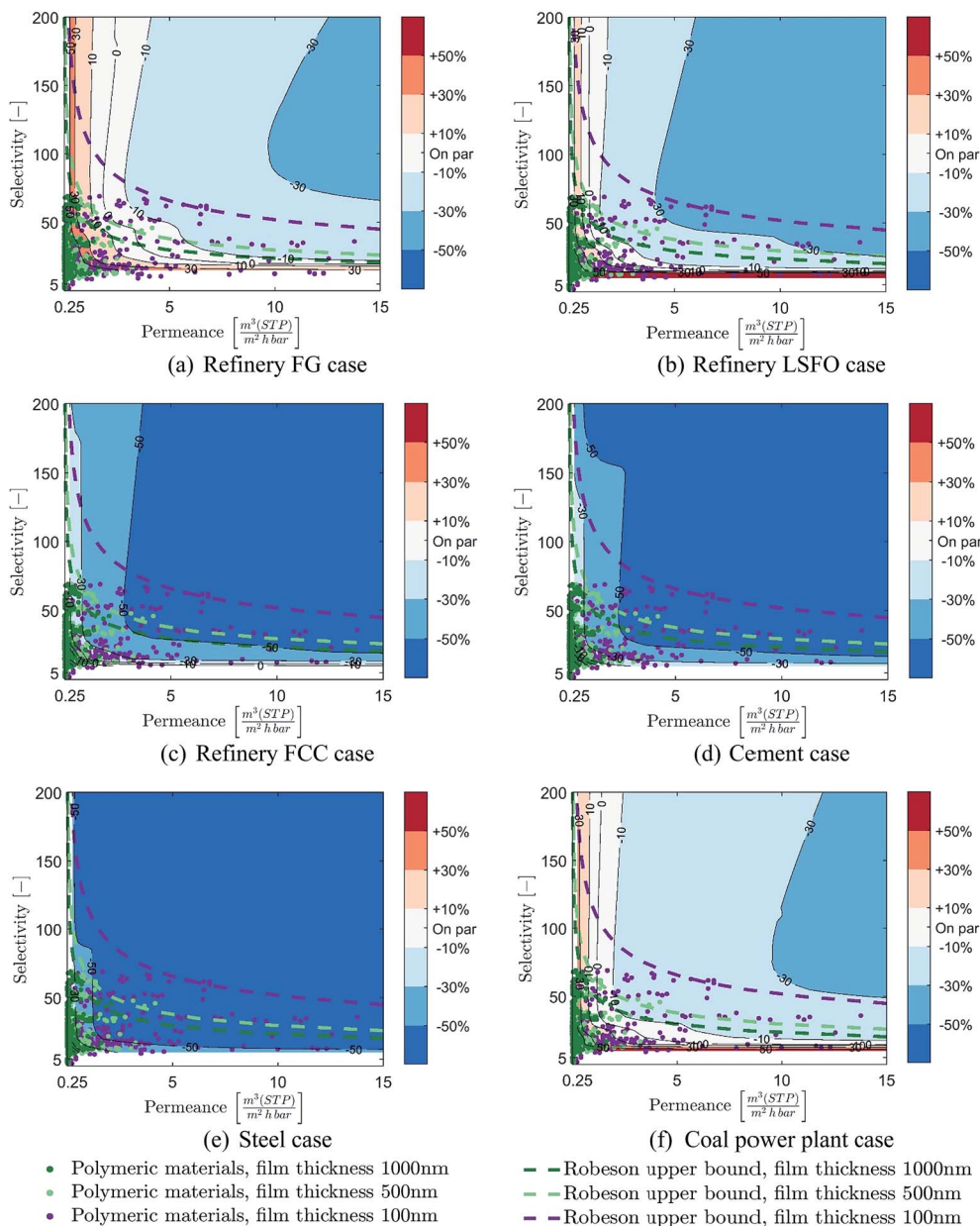


Fig. 10 Membrane properties required for cost-competitive membrane CO_2 capture, including the upper bound limitation and membrane material data for cost-optimal CCRs and the six cases considered: (a) refinery FG (b) refinery LSFO (c) refinery FCC (d) cement (e) steel (f) coal power plant.

the support and gutter layers of the membrane,⁵⁸ and may not follow the same trend as well-known thick films.⁵⁹

The achievable membrane properties of the 401 polymeric materials and the Robeson upper bound are plotted in Fig. 9 and 10 against the membrane properties targets obtained in all six cases considered at both 90% CCR and cost-optimal CCRs. Table 5 also presents the number of materials which can result in a cost-competitive membrane process depending on different cost-reduction levels, constraints regarding minimum thickness, and CCR scenarios. First, it is worth noting from the distribution of the data that most of the materials result in very low membrane permeance, below 0.75

$\text{m}_{(\text{STP})}^3 (\text{m}^2 \text{ h bar})^{-1}$, even when a very thin membrane layers are investigated.

For the 90% CCR evaluation, the comparisons show that for the refinery fuel gas, the refinery fuel oil and the coal power plant cases, only a limited number of materials can result in a cost-competitive process and that very thin membrane layers would be required. This trend is confirmed through the Robeson upper bound lines, which show that even with thin membrane thicknesses, only limited cost reductions can be achieved. However, for the refinery FCC, cement and steel cases, the results show that a large proportion of the polymeric materials evaluated could result in cost-competitive membrane-based capture even with thick membrane layers.



Table 5 Number of materials which can result in a cost-competitive membrane process depending on different cost-reduction levels, constraints regarding minimum thickness, and CCR scenarios

Cost reduction compared to MEA [%]	Thickness constraint [nm]	Refinery FG		Refinery LSFO		Refinery FCC		Cement plant		Steel plant		Coal power plant	
		90% CCR	Optimal CCR	90% CCR	Optimal CCR	90% CCR	Optimal CCR	90% CCR	Optimal CCR	90% CCR	Optimal CCR	90% CCR	Optimal CCR
≧0%	≧100	9	43	39	67	123	211	154	241	229	262	2	62
	≧500	—	3	4	18	59	84	64	98	110	129	—	17
	≧1000	—	—	—	3	43	52	46	60	66	77	—	4
≧10%	≧100	—	25	18	53	96	180	110	211	228	260	—	44
	≧500	—	—	—	4	51	64	55	80	109	123	—	4
	≧1000	—	—	—	3	33	42	41	50	66	72	—	1
≧30%	≧100	—	—	—	14	50	92	60	116	100	203	—	—
	≧500	—	—	—	—	11	29	13	36	47	70	—	—
	≧1000	—	—	—	—	3	9	3	12	28	37	—	—
≧50%	≧100	—	—	—	—	—	36	4	46	40	89	—	—
	≧500	—	—	—	—	—	3	—	4	3	21	—	—
	≧1000	—	—	—	—	—	—	—	—	1	4	—	—

The Robeson upper bound lines similarly indicate that significant cost reduction could be achieved even with thick membrane layers.

When considering the potential of CCRs lower than 90%, the comparisons show that a large number of polymeric materials can result in cost-competitive membrane processes. Indeed, except for the refinery fuel gas case, a significant share of the materials evaluated can result in cost-competitive processes even when only thick membrane layers are considered. Furthermore, comparison of the Robeson upper bound lines with the colour area shows that significant cost reduction compared to MEA-based capture could be reached with diffusion-based materials, especially if thin membrane layers can be achieved. It is worth noting that the Robeson upper bound lines show that for the refinery FCC, cement and steel cases, cost reductions stronger than 30% could be achieved with diffusion-based materials, even with if only thick membrane layers can be achieved.

All in all, the comparison of membrane materials with the properties targets make it clear that a large proportion of the materials evaluated could result in cost-competitive membrane processes and even reduce the cost of CO₂ capture, especially for the refinery FCC, the cement and steel cases, and/or if CCRs lower than 90% are considered. In addition, the Robeson upper bound approach demonstrates that developing thin membrane layers are important to exploit the potential for cost reduction. Furthermore, the combination of the properties targets approach and the material perspective is used to identify promising materials for post-combustion membrane-based CO₂ capture. In order to provide support for membrane development, a list of 73 materials identified to have the most potential^{§§§} are presented in Appendix B. Additionally, the maximum thickness requirements to reach different levels of cost-reduction potential compared to MEA-based capture are provided in ESI†

^{§§§} Here defined as having the potential to lead to a membrane process at least 30% cheaper than MEA-based capture for at least one of the cases considered even when only membrane layer above 1 μm are considered.

for all materials, cases and CCR scenarios considered. These lists could be used by membrane development experts to identify materials worthy of further development once both thickness constraint and practical considerations (such as mechanical resistance, stability over time, *etc.*) are taken into account. It is worth noting that literature shows that, in practice, some of these high-potential materials identified are already being considered by membrane development experts with promising results.^{60–64}

5 Conclusions

In order to significantly decrease the cost of CO₂ capture, the combined development of advanced capture technologies and better materials is required. For membrane-based CO₂ capture, one of the most promising emerging capture technologies, this means developing “good” membrane modules and materials. While this is traditionally done through incremental development of existing and new materials, this paper presents a new approach to identify membrane materials with a disruptive potential to reduce the cost of CO₂ capture for six potential industrial and power generation cases.

For each of the cases considered, this approach first identifies the membrane properties targets required to reach cost-competitiveness and different cost-reduction levels compared to MEA-based CO₂ capture, through the evaluation of a wide range of possible membrane properties. These membrane properties targets give an idea of the potential of membrane-based CO₂ capture for the cases considered, as well as the impact of important parameters such as the CO₂ capture ratio. In the cases considered here, the obtained ranges of membrane properties target show the strong potential of membrane-based capture for industrial cases with CO₂ content in the flue gas above 11%, and that considering CO₂ capture ratios lower than 90% significantly increases the competitiveness of membrane-based capture and leads to significant cost reduction potential.

The membrane properties targets are then used to identify materials with a strong potential for membrane-based CO₂ capture. In the present paper, focus was on 401 polymeric



materials whose characteristics have been reported in the literature. Based on these material properties, membrane module performances which could be theoretically achieved are evaluated and compared to the identified membrane properties targets, to highlight materials with the greatest potential. This approach results in a list of 73 high-potential materials which can be used by membrane development experts to select materials worth promoting for further development once practical development considerations are taken into account.

In practice, the approach presented here can also be used to evaluate the potential of other membrane materials (for example, novel glassy polymers or mixed matrix membranes) as the present study considers only a fraction of all possible membrane materials,^{65,66} but can also be adapted to other types of CO₂ capture technologies, such as solvent-based capture or

adsorption-based capture, and extended to different applications (biogas upgrading, hydrogen purification, air separation, acid gas removal, *etc.*). Adopting such approaches could help to reduce both the cost and time required to develop a technology and therefore contribute to attain commercially viable CO₂ capture technologies.

Appendix A: cost-optimal CCRs and associated cost reductions when considering lower CCRs

The cost reductions in the membrane process achieved by considering lower CCRs are presented in Fig. 11, while the associated cost-optimal CCRs are presented in Fig. 12 for the six cases evaluated in this study.

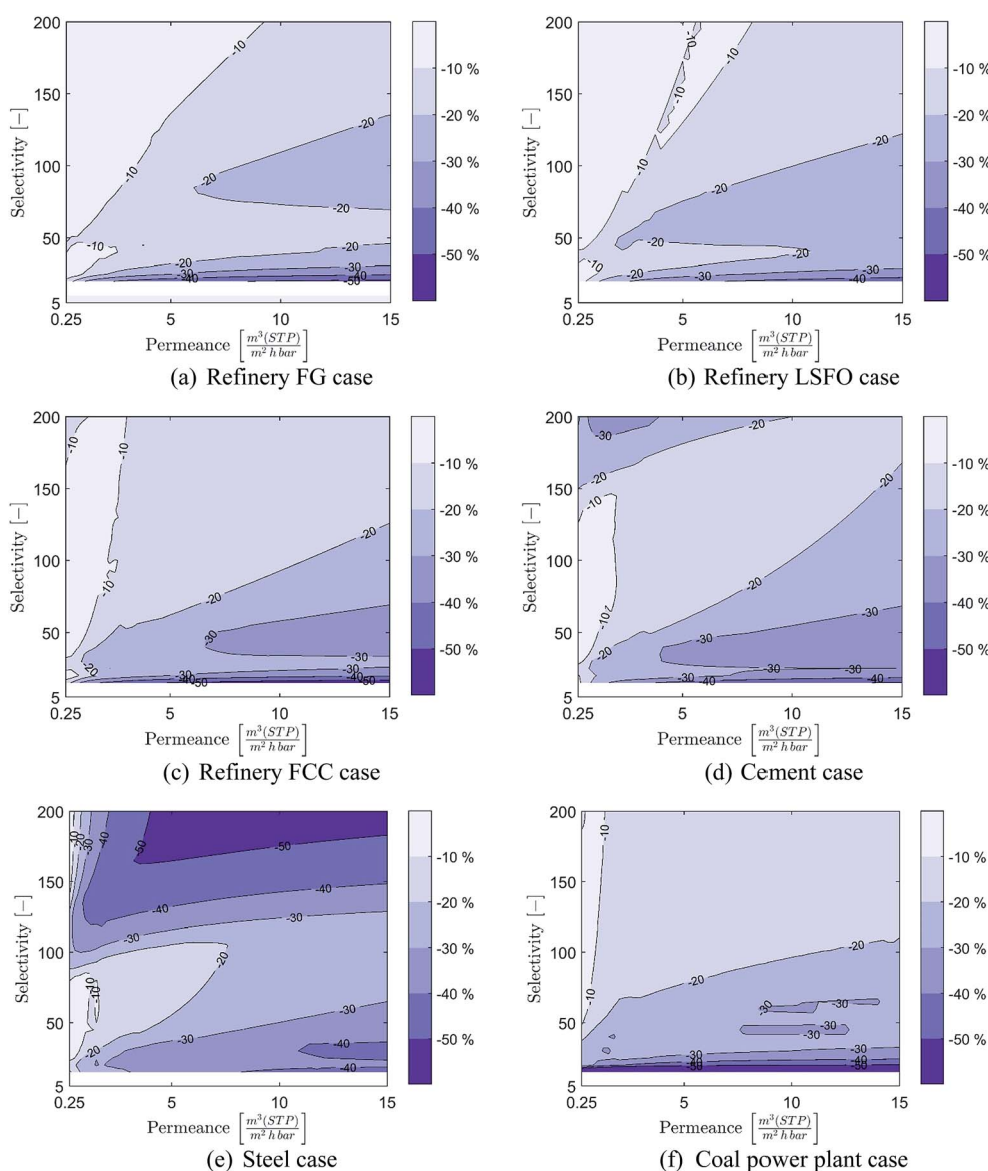


Fig. 11 Achieved cost reductions of the membrane-based CO₂ capture when considering optimal CCR rather than 90% CCR for the five industrial and one power generation cases considered: (a) refinery FG (b) refinery LSFO (c) refinery FCC (d) cement (e) steel (f) coal power plant8.



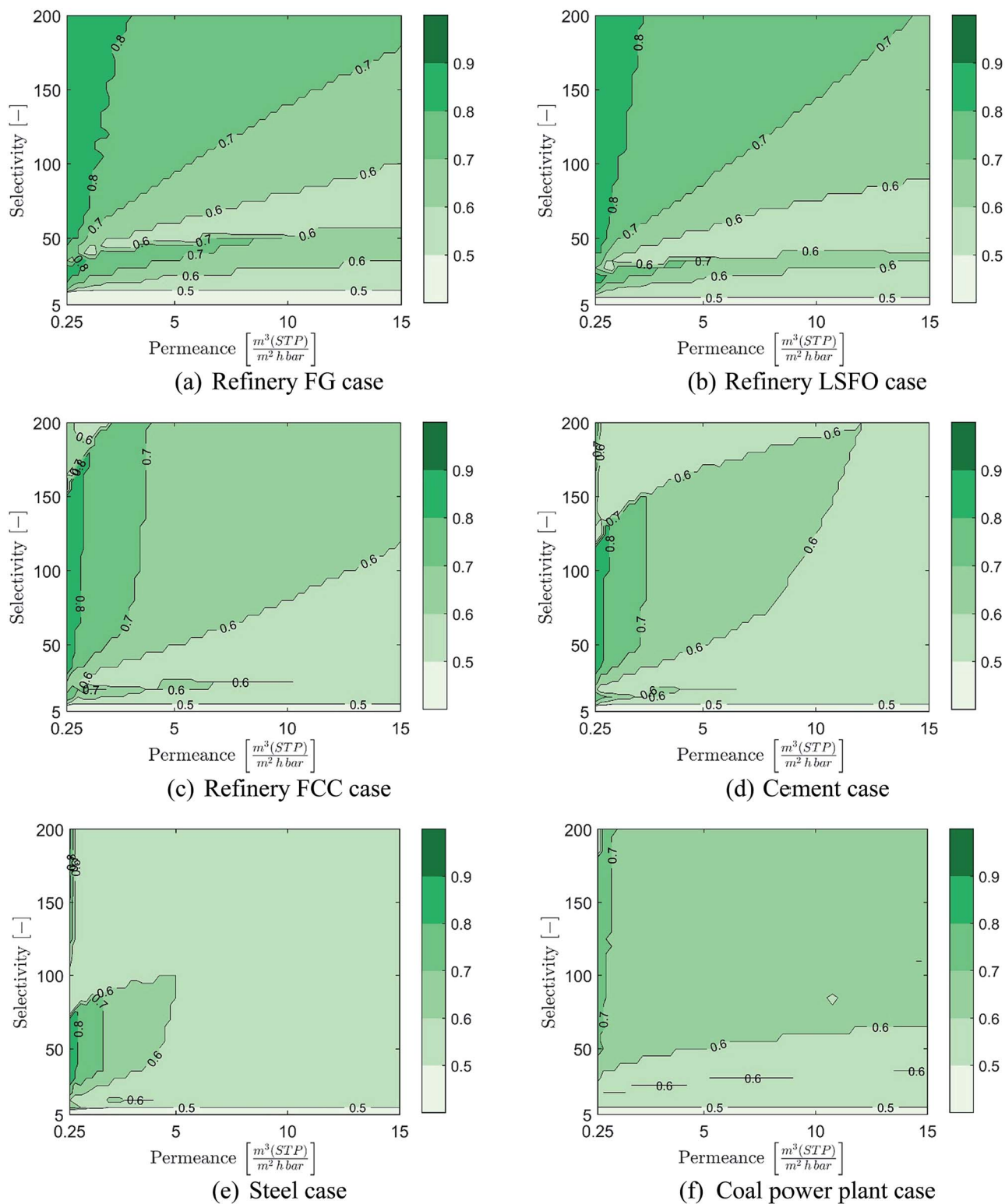


Fig. 12 Cost-optimal CCRs of the membrane-based CO₂ capture for the five industrial and one power generation cases considered: (a) refinery FG (b) refinery LSFO (c) refinery FCC (d) cement (e) steel (f) coal power plant.



Appendix B: list of polymeric materials identified to have the most potential for membrane module development

The list of 73 polymeric materials identified to have the most potential for membrane module development is presented in Table 6.

Table 6 List of 73 materials identified to have the most potential,^a among the 401 polymeric materials considered, for development of membrane modules for post-combustion CO₂ capture

Polymeric material name	CO ₂ /N ₂ selectivity [–]	CO ₂ permeability [Barrer]
Poly(trimethyl-prop-1-ynyl-silane)	17.4	28
Poly(3,3-dimethyl-but-1-yne)	10.6	19 000
EO/EM/AGE (80/20/2)	55	13.0
EO/EM/AGE (77/23/2.3)	46	773
EO/EM/AGE (96/4/2.5)	44	680
TMeCat–durene	27	67
TMMPD	19.6	114
6FDA–FDA/HFBAPP (1/1)	17.8	24.5
PI-3	22.9	32
PI-5	25.8	62
PMDA–APPS/PEO3(80)	50	99
PMDA–mPD/PEO4(80)	53	136
PMDA–ODA/PEO4(80)	52	151
PMDA–pDDS/PEO4(80)	52	167
NTDA–BDSA(30)/CARDO	41	70
6FDA–FDA/HFBAPP (1/1)	52	5.2
DM14/MM9 (70/30)	66	96
DM14/MM9 (50/50)	36	195
DM14/MM9 (50/50)	64	144
DM14/MM9 (30/70)	36	260
DM14/MM9 (30/70)	63	210
DB30/MM9 (100/0)	63	93
DB30/MM9 (90/10)	64	105
DB30/MM9 (70/30)	36	210
DB30/MM9 (70/30)	67	141
DB30/MM9 (50/50)	35	270
DB30/MM9 (50/50)	62	179
DB30/MM9 (30/70)	34	330
DB30/MM9 (30/70)	60	250
DM23/MM9 (90/10)	38	51
DM23/MM9 (90/10)	66	145
DB69/MM9 (90/10) (cooling)	34	27
DB69/MM9 (90/10) (cooling)	56	240
DB69/MM9 (90/10) (heating)	62	98
DM14/MM23 (30/70) (cooling)	35	400
DM14/MM23 (30/70) (cooling)	62	240
DM14/MM23 (30/70) (heating)	35	420
Matrimid 5218	62	250
Matrimid 5218, 1 day cross-linking	25.6	6.5
Matrimid 5218, 3 days cross-linking	25.6	7.4
Matrimid 5218, 7 days cross-linking	25.2	6.0
Matrimid 5218, 14 days cross-linking	24.6	5.1

Table 6 (Contd.)

Polymeric material name	CO ₂ /N ₂ selectivity [–]	CO ₂ permeability [Barrer]
Matrimid 5218, 21 days cross-linking	24.1	4.7
Matrimid 5218, 32 days cross-linking	22.2	3.4
6FDA–durene, 5 min cross-linked	15	1.9
6FDA–durene, 10 min cross-linked	12.3	136
6FDA–durene, 15 min cross-linked	14.1	91.8
6FDA–durene, 30 min cross-linked	11.6	70
6FDA–durene, 60 min cross-linked	10.6	30.3
Poly(phenyl oxide)	5.35	2.1
Poly(phenyl oxide)–nylon (20%)	14.4	61
Poly(phenyl oxide)–nylon (20%) with PSMA (2 wt%) as compatibilizer	16.15	24.8
Poly(phenyl oxide)–nylon (20%) with PSMA (4 wt%) as compatibilizer	38.7	12
Poly(phenyl oxide)–nylon (20%) with PSMA (6 wt%) as compatibilizer	35.87	17
Polyvinyl acetate	27.43	12.9
Polyvinyl acetate with 15pph zeolite 4A	34.7	3.1
Polyvinyl acetate with 20pph zeolite KFI	30.7	2.4
Polyvinyl acetate with 15pph zeolite H-ZK-5	53.6	4.9
Polyvinyl acetate with 15pph zeolite Na-SSZ-13	41	4.9
Polyvinyl acetate with 15pph zeolite SAPO-34	41.7	4.5
Polyvinyl acetate with 15pph zeolite SAPO-44	44.4	4.4
Silicone rubber	51.8	4.9
Silicone rubber with polyethylene glycol particles	11	14.3
Silicone rubber with activated carbon particles	42	4.9
Silicone rubber with polyethylene glycol and activated carbon particles	15	29.4
Silicone rubber with activated carbon and carbonate particles	47	24.2
Silicone rubber with PEG + activated carbon and carbonate particles	20.1	16.2
Polysulfone	40.5	14.3
MCM41/polysulfone	24.8	4.5
MCM41/polysulfone with mesoporous silica 30% wt additive	25.3	7.6
Amine-MCM41/polysulfone with mesoporous silica 20% wt additive	23.4	22.9
MCM48/polysulfone with mesoporous silica 10% wt additive	29	7.3
MCM48/polysulfone with mesoporous silica 20% wt additive	26.4	8.5

^a Here defined as having the potential to lead to a membrane process at least 30% cheaper than MEA-based capture for at least one of the cases considered even when only membrane layer above 1 μm are considered.



Conflicts of interest

There are no conflicts to declare.

Abbreviations

BPSD	Barrels per stream day
CAPEX	Capital expenditures
CCR	CO ₂ capture ratio
CCS	Carbon capture and storage
FCC	Fluid catalytic cracker
FG	Flue gas
GHG	Greenhouse gas
HRC	Hot rolled coil
LSFO	Low sulphur fuel oil
MEA	Mono-ethanolamine
OPEX	Operating expenditures
TDC	Total direct costs.

Acknowledgements

This publication has been produced with support from the BIGCCS and NCCS Centres, performed under the Norwegian research program Centres for Environmentally-friendly Energy Research (FME). The authors acknowledge the following partners for their contributions: Aker Solutions, ANSALDO Energia, CoorsTek Membrane Sciences, Gassco, KROHNE, Larvik Shipping, Norcem, Norwegian Oil and Gas, Quad Geometrics, Shell, Statoil, TOTAL, ENGIE and the Research Council of Norway (193816/S60 and 257579/E20).

References

- International Energy Agency, *20 years of Carbon Capture and Storage: Accelerating future deployment*, 2016.
- P. Markewitz, W. Kuckshinrichs, W. Leitner, J. Linszen, P. Zapp, R. Bongartz, A. Schreiber and T. E. Muller, Worldwide innovations in the development of carbon capture technologies and the utilization of CO₂, *Energy Environ. Sci.*, 2012, 5, 7281–7305.
- M. E. Boot-Handford, J. C. Abanades, E. J. Anthony, M. J. Blunt, S. Brandani, N. Mac Dowell, J. R. Fernandez, M.-C. Ferrari, R. Gross, J. P. Hallett, R. S. Haszeldine, P. Heptonstall, A. Lyngfelt, Z. Makuch, E. Mangano, R. T. J. Porter, M. Pourkashanian, G. T. Rochelle, N. Shah, J. G. Yao and P. S. Fennell, Carbon capture and storage update, *Energy Environ. Sci.*, 2014, 7, 130–189.
- N. MacDowell, N. Florin, A. Buchard, J. Hallett, A. Galindo, G. Jackson, C. S. Adjiman, C. K. Williams, N. Shah and P. Fennell, An overview of CO₂ capture technologies, *Energy Environ. Sci.*, 2010, 3, 1645–1669.
- J. C. Abanades, B. Arias, A. Lyngfelt, T. Mattisson, D. E. Wiley, H. Li, M. T. Ho, E. Mangano and S. Brandani, Emerging CO₂ capture systems, *Int. J. Greenhouse Gas Control*, 2015, 40, 126–166.
- X. He, C. Fu and M.-B. Hägg, Membrane system design and process feasibility analysis for CO₂ capture from flue gas with a fixed-site-carrier membrane, *Chem. Eng. J.*, 2015, 268, 1–9.
- T. C. Merkel, H. Lin, X. Wei and R. Baker, Power plant post-combustion carbon dioxide capture: An opportunity for membranes, *J. Membr. Sci.*, 2010, 359, 126–139.
- Z. Zhang, Z.-Z. Yao, S. Xiang and B. Chen, Perspective of microporous metal-organic frameworks for CO₂ capture and separation, *Energy Environ. Sci.*, 2014, 7, 2868–2899.
- T.-H. Bae and J. R. Long, CO₂/N₂ separations with mixed-matrix membranes containing Mg₂(dobdc) nanocrystals, *Energy Environ. Sci.*, 2013, 6, 3565–3569.
- H. B. Park, J. Kamcev, L. M. Robeson, M. Elimelech and B. D. Freeman, Maximizing the right stuff: The trade-off between membrane permeability and selectivity, *Science*, 2017, 356, eaab0530.
- S. R. Venna and M. A. Carreon, Metal organic framework membranes for carbon dioxide separation, *Chem. Eng. Sci.*, 2015, 124, 3–19.
- S. Roussanaly, R. Anantharaman, K. Lindqvist, H. Zhai and E. Rubin, Membrane properties required for post-combustion CO₂ capture at coal-fired power plants, *J. Membr. Sci.*, 2016, 511, 250–264.
- H. Kim and K. S. Lee, Design guidance for an energy-thrift absorption process for carbon capture: Analysis of thermal energy consumption for a conventional process configuration, *Int. J. Greenhouse Gas Control*, 2016, 47, 291–302.
- J. Salazar, U. Diwekar, K. Joback, A. H. Berger and A. S. Bhowm, Solvent Selection for Post-Combustion CO₂ Capture, *Energy Procedia*, 2013, 37, 257–264.
- M. T. Mota-Martinez, J. P. Hallett and N. Mac Dowell, Solvent selection and design for CO₂ capture – how we might have been missing the point, *Sustainable Energy Fuels*, 2017, 1, 2078–2090.
- R. Bounaceur, N. Lape, D. Roizard, C. Vallieres and E. Favre, Membrane processes for post-combustion carbon dioxide capture: A parametric study, *Energy*, 2006, 31, 2556–2570.
- L. Zhao, E. Riensche, R. Menzer, L. Blum and D. Stolten, A parametric study of CO₂/N₂ gas separation membrane processes for post-combustion capture, *J. Membr. Sci.*, 2008, 325, 284–294.
- X. He and M.-B. Hägg, Hollow fiber carbon membranes: Investigations for CO₂ capture, *J. Membr. Sci.*, 2011, 378, 1–9.
- A. Brunetti, E. Drioli, Y. M. Lee and G. Barbieri, Engineering evaluation of CO₂ separation by membrane gas separation systems, *J. Membr. Sci.*, 2014, 454, 305–315.
- P. Luis and B. Van der Bruggen, The role of membranes in post-combustion CO₂ capture, *Greenhouse Gases: Sci. Technol.*, 2013, 3, 318–337.
- R. Qi and M. A. Henson, Membrane system design for multicomponent gas mixtures via mixed-integer nonlinear programming, *Comput. Chem. Eng.*, 2000, 24, 2719–2737.
- I. K. Kookos, A targeting approach to the synthesis of membrane networks for gas separations, *J. Membr. Sci.*, 2002, 208, 193–202.



- 23 R. V. S. Uppaluri, R. Smith, P. Linke and A. C. Kokossis, On the simultaneous optimization of pressure and layout for gas permeation membrane systems, *J. Membr. Sci.*, 2006, **280**, 832–848.
- 24 S. Roussanaly, K. Lindqvist, R. Anantharaman and J. Jakobsen, A Systematic Method for Membrane CO₂ Capture Modeling and Analysis, *Energy Procedia*, 2014, **63**, 217–224.
- 25 K. Lindqvist, S. Roussanaly and R. Anantharaman, Multi-stage Membrane Processes for CO₂ Capture from Cement Industry, *Energy Procedia*, 2014, **63**, 6476–6483.
- 26 C. A. Scholes, M. T. Ho, A. A. Aguiar, D. E. Wiley, G. W. Stevens and S. E. Kentish, Membrane gas separation processes for CO₂ capture from cement kiln flue gas, *Int. J. Greenhouse Gas Control*, 2014, **24**, 78–86.
- 27 B. Belaissaoui, D. Willson and E. Favre, Membrane gas separations and post-combustion carbon dioxide capture: Parametric sensitivity and process integration strategies, *Chem. Eng. J.*, 2012, **211–212**, 122–132.
- 28 S. Roussanaly and R. Anantharaman, Cost-optimal CO₂ capture ratio for membrane-based capture from different CO₂ sources, *Chem. Eng. J.*, 2017, **327**, 618–628.
- 29 IEAGHG, *Retrofitting CO₂ capture from refineries*, Report 2017-TR5, London, 2017, DOI: 10.5281/zenodo.1179375.
- 30 S. Roussanaly, C. Fu, M. Voldsund, R. Anantharaman, M. Spinelli and M. Romano, Techno-economic Analysis of MEA CO₂ Capture from a Cement Kiln – Impact of Steam Supply Scenario, *Energy Procedia*, 2017, **114**, 6229–6239.
- 31 IEAGHG, Iron and steel CCS study (Techno-economic integrated steel mill), 2013/4, 2013.
- 32 R. Anantharaman, O. Bolland, N. Booth, E. V. Dorst, C. Ekstrom, F. Franco, E. Macchi, G. Manzolini, D. Nikolic, A. Pfeffer, M. Prins, S. Rezvani and L. Robinson, *D4.9 European best practice guidelines for assessment of CO₂ capture technologies*, DECARBit Project, 2011.
- 33 S. Roussanaly, Evaluating CO₂ avoidance costs of carbon capture and storage from industry, *Energy Sci. Eng.*, 2017, submitted.
- 34 European Technology Platform for Zero Emission Fossil Fuel Power Plants (ZEP), The costs of CO₂ transport, Post-demonstration CCS in the EU, 2011.
- 35 S. Roussanaly, J. P. Jakobsen, E. H. Hognes and A. L. Brunsvold, Benchmarking of CO₂ transport technologies: Part I—Onshore pipeline and shipping between two onshore areas, *Int. J. Greenhouse Gas Control*, 2013, **19**, 584–594.
- 36 H. Zhai and E. S. Rubin, Techno-Economic Assessment of Polymer Membrane Systems for Postcombustion Carbon Capture at Coal-Fired Power Plants, *Environ. Sci. Technol.*, 2013, **47**, 3006–3014.
- 37 M. Binns, S. Lee, Y.-K. Yeo, J. H. Lee, J.-H. Moon, J.-g. Yeo and J.-K. Kim, Strategies for the simulation of multi-component hollow fibre multi-stage membrane gas separation systems, *J. Membr. Sci.*, 2016, **497**, 458–471.
- 38 R. Khalilpour, A. Abbas, Z. Lai and I. Pinnau, Modeling and parametric analysis of hollow fiber membrane system for carbon capture from multicomponent flue gas, *AIChE J.*, 2012, **58**, 1550–1561.
- 39 R. Khalilpour, K. Mumford, H. Zhai, A. Abbas, G. Stevens and E. S. Rubin, Membrane-based carbon capture from flue gas: a review, *J. Cleaner Prod.*, 2015, **103**, 286–300.
- 40 J. Jakobsen, S. Roussanaly and R. Anantharaman, A techno-economic case study of CO₂ capture, transport and storage chain from a cement plant in Norway, *J. Cleaner Prod.*, 2017, **144**, 523–539.
- 41 J. Husebye, A. L. Brunsvold, S. Roussanaly and X. Zhang, Techno economic evaluation of amine based CO₂ capture: impact of CO₂ concentration and steam supply, *Energy Procedia*, 2012, **23**, 381–390.
- 42 S. Roussanaly, A. L. Brunsvold, E. S. Hognes, J. P. Jakobsen and X. Zhang, Integrated Techno-economic and Environmental Assessment of an Amine-based Capture, *Energy Procedia*, 2013, **37**, 2453–2461.
- 43 Chemical Engineering, Economic Indicators: Chemical Engineering Plant Cost Index (CEPCI), Journal, 2016.
- 44 IHS, The IHS CERA European Power Capital Costs Index (EPCCI), <http://www.ihs.com/info/cera/ihsindexes/index.aspx>.
- 45 J. P. Van Der Sluijs, C. A. Hendriks and K. Blok, Feasibility of polymer membranes for carbon dioxide recovery from flue gases, *Energy Convers. Manage.*, 1992, **33**, 429–436.
- 46 E. Rubin, G. Booras, J. Davison, C. Ekstrom, M. Matuszewski, S. T. McCoy and C. Short, *Toward a common method of the cost estimation for CO₂ capture and storage at fossil fuel power plants*, Global CCS Institute, 2013.
- 47 M. T. Ho, G. W. Allinson and D. E. Wiley, Comparison of MEA capture cost for low CO₂ emissions sources in Australia, *Int. J. Greenhouse Gas Control*, 2011, **5**, 49–60.
- 48 M. Zhao, A. I. Minett and A. T. Harris, A review of techno-economic models for the retrofitting of conventional pulverised-coal power plants for post-combustion capture (PCC) of CO₂, *Energy Environ. Sci.*, 2013, **6**, 25–40.
- 49 A. Nuchitprasittichai and S. Cremaschi, Sensitivity of amine-based CO₂ capture cost: The influences of CO₂ concentration in flue gas and utility cost fluctuations, *Int. J. Greenhouse Gas Control*, 2013, **13**, 34–43.
- 50 L. Giordano, D. Roizard, R. Bounaceur and E. Favre, Evaluating the effects of CO₂ capture benchmarks on efficiency and costs of membrane systems for post-combustion capture: A parametric simulation study, *Int. J. Greenhouse Gas Control*, 2017, **63**, 449–461.
- 51 B. Freeman, P. Hao, R. Baker, J. Kniep, E. Chen, J. Ding, Y. Zhang and G. T. Rochelle, Hybrid Membrane-absorption CO₂ Capture Process, *Energy Procedia*, 2014, **63**, 605–613.
- 52 R. Anantharaman, D. Berstad and S. Roussanaly, Techno-economic Performance of a Hybrid Membrane – Liquefaction Process for Post-combustion CO₂ Capture, *Energy Procedia*, 2014, **61**, 1244–1247.
- 53 C. E. Powell and G. G. Qiao, Polymeric CO₂/N₂ gas separation membranes for the capture of carbon dioxide from power plant flue gases, *J. Membr. Sci.*, 2006, **279**, 1–49.



- 54 C. A. Scholes, S. E. Kentish and G. W. Stevens, Carbon Dioxide Separation through Polymeric Membrane Systems for Flue Gas Applications, *Recent Pat. Chem. Eng.*, 2008, **1**, 52–66.
- 55 L. M. Robeson, The upper bound revisited, *J. Membr. Sci.*, 2008, **320**, 390–400.
- 56 C. Liu, R. Minkov, S. A. Faheem, T. C. Bowen and J. J. Chiou, High permeance polyimide membranes for air separation, *US Pat.*, US8366804B2, 2013.
- 57 National Energy Technology Laboratory, *Advanced Carbon Dioxide Capture R&D Program: Technology Update – Appendix B: Carbon Dioxide Capture Technology Sheets*, 2013.
- 58 M. Kattula, K. Ponnuru, L. Zhu, W. Jia, H. Lin and E. P. Furlani, Designing ultrathin film composite membranes: the impact of a gutter layer, *Sci. Rep.*, 2015, **5**, 15016.
- 59 P. Gorgojo, S. Karan, H. C. Wong, M. F. Jimenez-Solomon, J. T. Cabral and A. G. Livingston, Ultrathin Polymer Films with Intrinsic Microporosity: Anomalous Solvent Permeation and High Flux Membranes, *Adv. Funct. Mater.*, 2014, **24**, 4729–4737.
- 60 S. Kim, E. Marand, J. Ida and V. V. Gulians, Polysulfone and Mesoporous Molecular Sieve MCM-48 Mixed Matrix Membranes for Gas Separation, *Chem. Mater.*, 2006, **18**, 1149–1155.
- 61 I. Kammakakam, S. Nam and T.-H. Kim, PEG-imidazolium-functionalized 6FDA-durene polyimide as a novel polymeric membrane for enhanced CO₂ separation, *RSC Adv.*, 2016, **6**, 31083–31091.
- 62 X. Liu, Y. Zhang, Y. Chen, C. Li, J. Dong, Q. Zhang, J. Wang, Z. Yang and H. Cheng, A superhydrophobic bromomethylated poly(phenylene oxide) as a multifunctional polymer filler in SPEEK membrane towards neat methanol operation of direct methanol fuel cells, *J. Membr. Sci.*, 2017, **544**, 58–67.
- 63 J. Ahmad and M.-B. Hägg, Preparation and characterization of polyvinyl acetate/zeolite 4A mixed matrix membrane for gas separation, *J. Membr. Sci.*, 2013, **427**, 73–84.
- 64 H. Lin and B. D. Freeman, Materials selection guidelines for membranes that remove CO₂ from gas mixtures, *J. Mol. Struct.*, 2005, **739**, 57–74.
- 65 C. E. Wilmer, M. Leaf, C. Y. Lee, O. K. Farha, B. G. Hauser, J. T. Hupp and R. Q. Snurr, Large-scale screening of hypothetical metal–organic frameworks, *Nat. Chem.*, 2011, **4**, 83.
- 66 Y. G. Chung, J. Camp, M. Haranczyk, B. J. Sikora, W. Bury, V. Krungleviciute, T. Yildirim, O. K. Farha, D. S. Sholl and R. Q. Snurr, Computation-Ready, Experimental Metal–Organic Frameworks: A Tool To Enable High-Throughput Screening of Nanoporous Crystals, *Chem. Mater.*, 2014, **26**, 6185–6192.

