

Received June 17, 2020, accepted July 4, 2020. Date of publication xxxx 00, 0000, date of current version xxxx 00, 0000.

Digital Object Identifier 10.1109/ACCESS.2020.3007791

High-Power Machines and Starter-Generator Topologies for More Electric Aircraft: A Technology Outlook

JONAS KRISTIANSEN NØLAND¹, (Member, IEEE),
MATTEO LEANDRO¹, (Graduate Student Member, IEEE),
JON ARE SUUL^{2,3}, (Member, IEEE), AND **MARTA MOLINAS**², (Member, IEEE)

¹Department of Electric Power Engineering, Norwegian University of Science and Technology (NTNU), 7034 Trondheim, Norway

²Department of Engineering Cybernetics, Norwegian University of Science and Technology (NTNU), 7034 Trondheim, Norway

³SINTEF Energy Research, 7465 Trondheim, Norway

Corresponding author: Jonas Kristiansen Nøland (jonas.k.noland@ntnu.no)

This work was supported by the Open Access Funding granted from the Norwegian University of Science and Technology Publishing Fund.

ABSTRACT More electric aircraft (MEA) architectures consist of several subsystems, which must all comply with the settled safety requirements of aerospace applications. Thus, achieving reliability and fault-tolerance represents the main cornerstone when classifying different solutions. Hybrid electric aircraft (HEA) extends the MEA concept by electrifying the propulsive power as well as the auxiliary power, and thereby pushing the limits of electrification. This paper gives an overview of the high-power electrical machine families and their associated power electronic converter (PEC) interfaces that are currently competing for aircraft power conversion systems. Various functionalities and starter-generator (S/G) solutions are also covered. In order to highlight the latest advancements, the efficiency of the world's most powerful aerospace generator (Mark 1) developed within the E-Fan X HEA project is graphically represented and assessed against other rivaling solutions. Motivated by the strict requirements on efficiency, power density, trustworthiness, as well as starting functionalities, supplementary considerations on the system-level design are paramount. In order to highlight the MEA goals and take advantage of all potential benefits, all subsystems must be treated as a whole. It is then shown that the combination of PECs, aircraft grid and electrical machines can be better adapted to benefit the overall system. This survey outlines the influence of these concerns and offers a view of the future technology outlook, as well as covering the present challenges and opportunities.

INDEX TERMS Aerospace generators, more-electric aircraft (MEA), hybrid-electric aircraft (HEA), power electronic interfaces, matrix converters, three-level converters, wound-rotor synchronous machines, induction machines, permanent magnet machines, reluctance machines.

AEA	All Electric Aircraft	VSCF	Variable-Speed Constant-Frequency
MEA	More Electric Aircraft	CSCF	Constant-Speed Constant-Frequency
HEA	Hybrid Electric Aircraft	PEC	Power Electronic Converter
S/G	Stator/Generator	2LC	Two-Level Converter
EM	Electrical Machine	3L-NPC	Three-Level Neutral Point Clamped Converter
PMM	Permanent Magnet Machine	3L-TTC	Three-Level T-Type Converter
IM	Induction Machine	DMC	Direct Matrix Converter
RM	Reluctance Machine	IMC	Indirect Matrix Converter
WFSM	Wound-Field Synchronous Machine	DQC	Dual Quadrant Converter
AE	Asynchronous Exciter	CSC	Current-Sourced Converter
PD	Partial Discharges	VSC	Voltage-Sourced Converter
VSVF	Variable-Speed Variable-Frequency	HVDC	High Voltage Direct Current
		WBG	Wide Band-Gap
		SiC	Silicon Carbide

The associate editor coordinating the review of this manuscript and approving it for publication was Zhilei Yao¹.

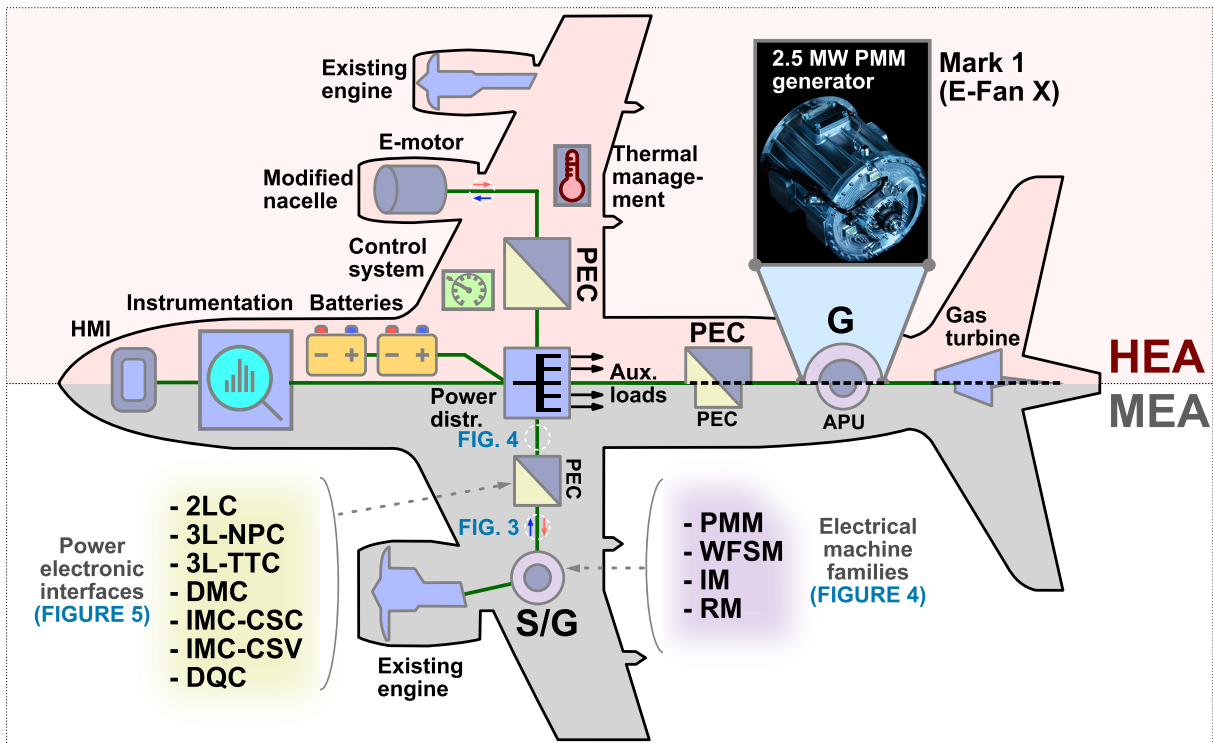


FIGURE 1. Illustrative example indicating the main elements of MEA and HEA architectures. The upper part shows an overview of the power distribution system for a series-hybrid HEA architecture, while the lower parts depict the main infrastructure of established MEA architectures. A PMM-based 2.5 MW, 14.5 krpm machine with its associated PEC (Mark 1 ground-based E2SG prototype (part of the E-Fan X project) is depicted in the highlighted HEA upper part (Courtesy of Rolls-Royce Electrical Norway) [1]. Control system and thermal management apply for both MEA and HEA. Different alternative electrical machine families and power electronic interfaces are mentioned in the figure, which outlines some of the literature review conducted in the paper.

I. INTRODUCTION

According to the ‘Flightpath 2050’ policy report on aviation research, the EU Commission aims to reduce emissions of CO₂ by 75%, NO_x by 90% and noise by 65% before 2050 [2]. Since the late 1990s, the ongoing development towards electrified aviation systems has received significant attention from the research community [3]. The move towards more electric aircraft (MEA) [3] and all-electric aircraft (AEA) [4] has been triggered by the ambition of curtailing the fuel consumption by minimizing the overall weight and improving the power management on board while increasing the trustworthiness and security [5]–[10].

The various more-electric functionalities, such as integrated starter-generator (S/G) solutions, are considered as the key technologies in the MEA paradigm. The gas turbines are configured for electric starting (“engine cranking”) using electrical machines (EMs), which then harvests mechanical power from the engine in generator mode [11]. Hence, hydraulic- and pneumatic systems can be eliminated [12].

The hybridization of aircraft propulsion systems is another recent trend continuing from the MEA initiative. The hybrid-electric aircraft (HEA) can increase the propulsive efficiency, reduce emissions during critical parts of the flight and mitigate the global increase in carbon emissions [4]. Fig. 1 contextualizes this paper by providing an illustrative

example of a HEA and a MEA architecture to indicate their similarities and differences. In MEA systems, the propulsion is fully driven by jet engines [13]. However, also discussing components and systems for HEA concepts (e.g., referring to the E-Fan X electric generator [1]), may help to highlight where the cutting-edge advancements in the electrification of aviation are moving towards. Moreover, regional all-electric aircraft (AEA) will demand electrical machines (i.e., motors) in the range between 2 MW and 5 MW [14], which is in the same power range as the E-Fan X project. Such machines will have to comply with similar ultra conservative certification roadmaps as established for MEA applications [15]. The chosen case study (Mark 1 generator) is intended to deliver the required propulsion power consumed by one corresponding E-motor, as well as contributing to the on-board power system. Therefore, the power level goes beyond what is typically required by MEA configurations. This, in turn, helps to push the technological limitations in MEA architectures. As a point of reference, the total electric power capacities of the Boeing 787 (MEA) and the Airbus 380 (slightly MEA) designs are 1 MW and 0.6 MW, respectively [14].

The selected high-power generator, its power electronic conversion (PEC) technology and the power system architecture is at the core of the MEA/HEA technology. Overall, they can constitute a more-electric starter-generator (S/G)

functionality, which has been widely applied in MEA/HEA systems [16]. Different alternative electrical machine families and PECs are listed in Fig. 1. The assessment of the different high-power topologies is just one of the open questions. Moreover, a myriad of different MEA/HEA architectures have been proposed [17]–[19]. In addition to the overall system configurations, Fig. 2 illustrates the principle of the S/G based on the bi-directional generator system. The two main families of arrangements in the MEA technology is indicated, i.e., AC and DC grid topology integrated with the S/G. All generator topologies with an active PEC at the stator-side can be implemented with electric starting functionality of the main generator, which has the potential to reduce wear and tear of the engine, as well as the need for maintenance.

Many MEA/HEA projects have been pursued around the world. One of them is the E-Fan X project (2017-2020) that developed the first prototype for the world’s largest hybrid-electric aircraft. A 70-seater demonstrator HEA concept was developed by Airbus and Rolls Royce. In August 2019, a 2.5 MW (3400 hp) permanent magnet machine (PMM) was first tested at the Rolls Royce electrical machines facility in Trondheim, Norway (PMM depicted in Fig. 1) [1]. The machine was intended for a high voltage (3 kV) DC aircraft power system for high altitudes. In this HEA demo, a considerable fraction of the propulsive power was intended to be electrified (25 percent), replacing an existing engine. In MEA systems, the electric power is secondary [20], meaning that all propulsion power is directly originating from fuel engines (without electrical conversion). While Boeing 787 still favour classical wound-field synchronous machine (WFSM) generator technology [21] for secondary electric power, the E-Fan X project employed the PMM as its main generator [1], contributing to primary electric power as well. This highlights the fact that there is still an ongoing debate on the most suitable machine topologies.

Historically, some parallels have been drawn between the hybridization or electrification of vehicles and the move toward MEA/HEA technologies [13], as they are based on similar core EM technologies. Discussions regarding the most suitable EM and S/G technology for aircraft started more than twenty years ago [22]. Similar trends towards electrification are now occurring for electric motors and actuators in aviation research as well [20], [23]–[27].

In this article, the on-board power distribution systems and the interacting power electronic solutions for different electrical machine families in MEA/HEA power generation systems are reviewed and compared against each other. The main elements of this review have been developed from [11], but have been significantly expanded to provide a more comprehensive basis for the presented discussions and comparisons. In the following, section II is briefly exploring the general trends and developments toward MEA systems, the essential requirements for the machines and the principles of S/G functionality. Then, Section III presents an outline of the possible options for the MEA distribution grid and for the related power electronic interfaces interacting with

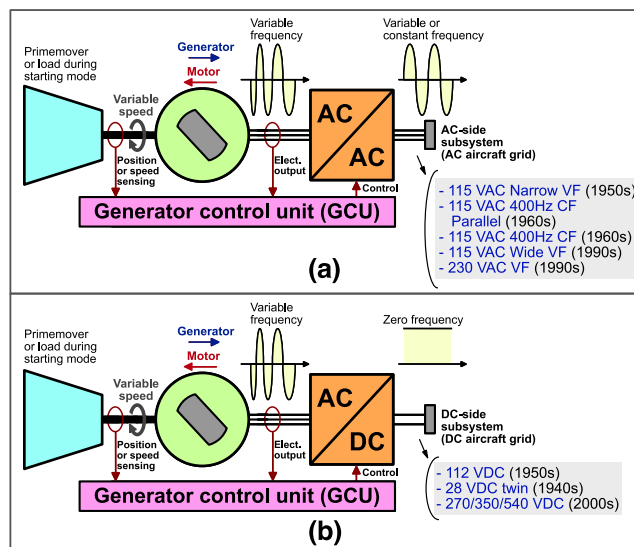


FIGURE 2. Two categories of MEA power distribution (based on the bi-directional generator system [22]), with some examples of distribution solutions in existing aircraft [39]. a) Variable speed constant frequency (VSCF) or “frequency-wild” AC distribution (which can also be implemented with DOL-connected WFSMs without stator-side PEC). b) DC distribution topology (which could also be implemented as a uni-directional DOL-connected WFSMs with passive stator-side rectifier, shown in Fig. 6).

the main power generation facilities. Section IV reviews the properties of the wound-field synchronous machine (WFSM) as either a uni-directional generator or as an S/G, including the excitation equipment needed for different additional functionalities. Further, Section V explores the main competitors to the WFSM. Finally, Section VI presents some state-of-the-art comparisons and assessments, as well as future perspectives and opportunities before Section VII concludes the paper.

II. POWER CONVERSION ARCHITECTURES FOR GENERATORS AND S/GS IN MEA APPLICATIONS

The incentives for the progress towards MEA concepts, the common configurations of the aircraft grids and the available power electronic conversion (PEC) topologies have been well documented in the literature [28]–[38]. In line with the recent trends, a brief overview of the requirements and the competing paradigms for MEA power systems and the operating basics for S/G-applications are presented in the next subsections.

A. TRENDS IN THE BASIC MEA TECHNOLOGY

The trends in the ongoing evolution of the aircraft power generation appear to be similar to ground-based machines and transportation systems when it comes to power density. However, extreme considerations related to weight reduction, thermal management, fault-tolerance and reliability are more emphasized. This subsection starts by introducing the design objectives and requirements.

1) BASIC MEA REQUIREMENTS AND RELIABILITY CONCERNS

The ongoing electrification revolution of MEAs is a direct consequence of the continuous innovations in

high-performance PECs and electrical machines [40]. According to aerospace practices, an enhanced power density with low weight and high power capacity are among the key objectives. In achieving power dense electrical machine solutions, two possible approaches are increased magnetic fields and higher armature current loading. As a consequence of higher loss density, the management of heat flows becomes significantly more important [25], i.e., the early-stage machine design has to be more focused on the hot spots. Moreover, fail-safe abilities and insulation degradation [23] are key concerns. The critical field strength is drastically reduced due to lower pressures at higher altitudes. Thus, challenges with partial discharges can increase for motor windings as well as cable insulation in aircraft applications [41], [42]. Inside the aircraft body with the environmental control system (ECS) intact, the critical electric field is 25 kV per *cm* [43], which informs the insulation design of individual power components. Efforts toward partial discharge-free (PD-free) design of electrical machines have been reported to promote MEA reliability [44]. However, there is a trade-off since PD-free operation comes at the cost of reduced torque capability. It is the lowering of the absolute voltage magnitude across the machine insulation that causes the reduction of partial discharges (PD), and thus, affecting reliability. Another contributor to increased trustworthiness is the development in high-performance control of torque and speed, such as encoder-less algorithms that replace position encoders [45], [46]. Enhanced reliability is especially needed to enable ultra-high-speed operation.

2) POWER DENSITY

The need for ultra-high speeds in high power density machines can be easily perceived from the classical relation between the electrical power (P), the torque (T) and the machine speed (n)

$$P = T\omega_{mech} = T \cdot 2\pi \cdot \frac{n}{60}. \quad (1)$$

The machine speed is the most relevant target for power density improvements since a constant torque density is usually the first-hand limiting design factor. However, the power density does not always increase by simply increasing the speed. Higher frequencies lead to a significant increase in iron and AC copper losses, as well as higher requirements for PEC performance, which impacts weight and size [47], [48].

Under this perspective, the exploration of other machine designs may be fruitful. A slotless stator topology with a reduced core and a coreless rotor may be an interesting solution in MEA systems, as iron use is minimized and the slotting effect is eliminated [26]. Consequently, a weight-effective solution can be achieved for very high-speed applications. In [49], a promising 1 MW slotless machine was designed with an expected power density as high as 13 kW/kg, and 96% expected efficiency. Advancements in the same direction have already reached the first testing phase [50], and more

testing results are expected to validate the remarkable potential highlighted in the design stage.

It is not only the stator slots that could be eliminated. Another issue is the fact that up to 50% of the electrical machine mass could be made of components that have no active role in the electromagnetic conversion process. Therefore, the reduction of non-active elements is an important objective, and increased power density can be achieved by optimizing structural components. It is worth noting that for any machine topology, higher speeds imply stricter containment requirements, i.e., to prevent components from disintegrate due to the centrifugal forces.

The power density (p) formulation can be either volumetric

$$p_{[W/m^3]} = \frac{P}{V_a}, \quad (2)$$

or gravimetric

$$p_{[W/kg]} = \frac{P}{m_a}. \quad (3)$$

They depend on either the active volume (V_a) or the active mass (m_a) that are accounted for in the power density specification, and whether the cooling system and the PEC topology are included or not. It is worth highlighting that the power density improvement in terms of weight (m_a) minimization is always the main objective for MEA systems.

3) COMPLEXITY ISSUES AND GOODNESS OF DESIGN

There are also other important design considerations in addition to weight reduction. To account for the complexity of the different design issues, including power capability, operational robustness, mechanical stress and critical speed, several performance indicators have been proposed. One of them is the goodness of design (GOD) factor proposed in [51], where

$$GOD = n[rpm] \cdot \sqrt{P[kW]}. \quad (4)$$

The different designs can be calculated in terms of GOD (using rated P and n) and then be categorized onto different GOD levels of performance (complexity of design), e.g., 1E5, 3E5, 5E5, 5.7E5 and 1E6 [21].

4) EVOLUTION OF INSTALLED ELECTRICAL POWER CAPACITY

The power density issue (mentioned in Section II-A2) becomes more influential as a result of the ongoing aircraft electrification. The total electrical power capability in aviation has evolved excessively during the last twenty years [28]. The maximum power of the WFSM machine family has been as high as 250 kVA. It has been utilized as four equally rated WFSMs in the Boeing 787 Dreamliner platform [56], which has a total of 1450 kVA electrical power (including additional power generation facilities). Two so-called ‘variable-frequency starter generators’ (VFSGs) on two of the primary engines were included [57].

5) PARADIGMS OF POWER SYSTEM ARCHITECTURES

As a result of the increased aviation electrification, recent transformations have occurred in the on-board power architecture. Conventionally, the constant-speed constant-frequency (CSCF) system configured in a direct-on-line (DOL) arrangement has been extensively employed for more than 60 years [21], and it has been used in commercial solutions like Airbus A340 and Boeing B777 [58]. However, the constant speed drive (CSD) is a complicated, large and heavy system (i.e., input speed with heavy mechanical gear-boxes), and performs with poor generation efficiency and inferior trustworthiness [3], [39]. In competition to the CSCF paradigm, ‘variable-speed constant-frequency’ (VSCF) systems [59] via DC-links or cyclo-converters have been used in military aerial systems like AV-8B, TR-1, F-117 [60] and F-18 [61]. The technical standard in regular VSCF systems is 400 Hz and 115/200 V [28].

The ‘variable-speed variable-frequency’ (VSVF) system has recently been attracting interest (i.e., “frequency-wild AC system”), and the first commercially available large-scale implementation of this category is employing four 120/150 kVA VF generators in the Airbus A380 platform. Moreover, VSVF technology is also found in Boeing B787 [21]. Recently, a ‘variable-voltage’ bus strategy has been proposed to enhance the power management [62]. Moreover, the DC-bus topology has been proposed with 540 V and 270 V for alternative aviation technologies [28], [63]. The E Fan-X project developed a demonstrator intended for 3 kV DC distribution for high altitudes [1].

In future MEA aircraft, the VSVF system or the DC distribution system will likely be the competing solutions. Therefore, this requires a bi-directional S/G configuration to embed an active PEC solution at its stator side to interact with the aircraft power system. However, the WFSMs can be direct-on-line (DOL) connected in VSVF configuration as well. In addition, the WFSG can be configured at the stator-side with a passive diode bridge rectifier without starting functionality (more details in Section IV).

The use of more active PEC results in a significant increase in the overall weight, which have been documented in both the AEGART S/G system [55] and the E FAN-X S/G [1]. Other concerns involve the impact PECs will have on the reliability of the S/Gs [64], [65]. More considerations on the distribution system with respect to the employed PEC topology for the S/G is presented in Section III.

B. BASIC PRINCIPLES OF STARTER-GENERATORS

With respect to the mentioned power system architectures, the starter-generator (S/G) functionality can be adapted for a wide range of power electronic interfaces and engine arrangements. Different definitions apply in industry practices and in academia, which is highlighted in Fig. 3. Fig. 3a) illustrates an alternative S/G terminology. Sometimes an electrical start of a generator is made by a separate engine-integrated electric motor that is only a fraction of the turbine power [53], [66].

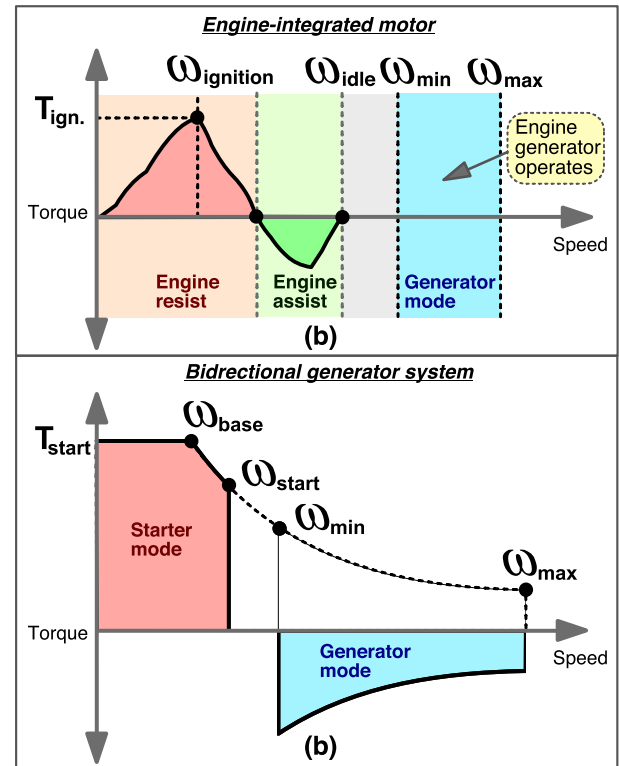


FIGURE 3. General torque-speed characteristics of starter-generators (S/Gs). a) Engine-integrated motor, i.e., integrated starter-generator (ISG) [5], [6], [52]–[54]. b) Bi-directional generator system [11], [22], [55].

In Fig. 3b), the characteristics of the bi-directional S/G generator system is depicted. It is the second definition of S/Gs that are applied in this paper, i.e., that the main generator can start the engine itself. In every case of such functionality, an S/G is configured for bi-directional power flow and operates in two modes, as depicted in Fig. 3b).

1) MODES OF OPERATION

- Starting mode: S/G operates as a motor where the primary engine is behaving as a mechanical load. The engine is accelerated to the self-sustaining speed (ω_{start}).
- Generating mode: The variable speed (VS) engine sustains itself, and the interfacing PEC supplies the onboard loads through DC supply, constant frequency (CF) or variable frequency (VF).

The power is managed by the PEC interface when operating in both modes.

2) ELECTRICAL MACHINE FAMILIES FOR S/GS

A multitude of machine technologies have been suggested for high-power machines or S/G applications [32], [67], including

- 1) wound-field synchronous machines (WFSMs) [21], [68],
- 2) permanent magnet machines (PMMs) [69], [70],
- 3) induction machines (IMs) [71]–[73], and
- 4) reluctance machines (RMs) [74]–[77].

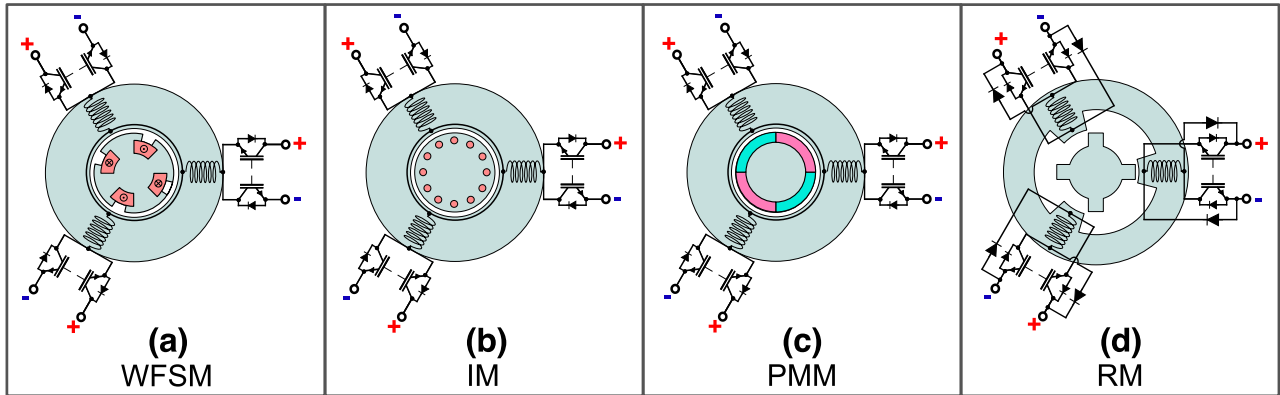


FIGURE 4. Considered high-power electrical machine families and S/Gs in MEA architectures [5] with an AC/DC topology (see Fig 2b). a) Wound-field synchronous machines. b) Squirrel-cage induction machines. c) Permanent magnet machines. d) Reluctance machines.

TABLE 1. Outline of the PEC interfaces for starter-generator applications.

PEC type	Benefits	Drawbacks	Ref.
<i>Two-level converter (2LC)</i>	<ul style="list-style-type: none"> • Most standard converter topology; • Minimum number of components; 	<ul style="list-style-type: none"> • High voltage THD, high dV/dt and insulation stress; • Large DC-side capacitor. 	[40] [78], [79]
<i>Three-level neutral point clamped converter (3L-NPC)</i>	<ul style="list-style-type: none"> • Reduced voltage THD, dV/dt and insulation stress; • Reduced harmonic losses with higher efficiency. 	<ul style="list-style-type: none"> • Non-uniform losses and high number of components; • Increased capacitor volume. 	[79] [80]–[83]
<i>Three-level T-Type converter (3L-TTC)</i>	<ul style="list-style-type: none"> • Reduced harmonic content and insulation exposure; • Lower harmonic losses and increased efficiency. 	<ul style="list-style-type: none"> • Non-uniform losses and high number of components; • Devices with different voltage ratings. 	[79], [80] [84], [85]
<i>Direct matrix converter (DMC)</i>	<ul style="list-style-type: none"> • Capacitor-free topology. 	<ul style="list-style-type: none"> • Complicated control. 	[86]
<i>Indirect matrix converter (IMC)</i>	<ul style="list-style-type: none"> • DC-link avoided, reducing size and weight; • Small AC-AC interface filters required. 	<ul style="list-style-type: none"> • High number of components required; • Higher output current demand (low transfer ratio). 	[87] [88]
<i>Dual-quadrant converter (DQC)</i>	<ul style="list-style-type: none"> • Independent control of different phases. 	<ul style="list-style-type: none"> • Tailored solution for SRMs. 	[74]

Fig. 4 illustrates the basic structure of each electrical machine family and the classical PEC topology of each type. It assumes the AC/DC topology of Fig. 5a), i.e., 2LC for the WFSM, the IM and the PMM. In addition, the interface of Fig. 5c), DQC, is assumed for the RM. More considerations regarding the electrical machine families are the focus for Sections IV and V. Since IMs, PMMs and RMs demands active PEC at the stator-side, all of them will automatically include S/G functionality, and will be treated as S/Gs hereafter.

III. POWER ELECTRONIC INTERFACES FOR S/GS

Power electronics is already a well-integrated technology in different parts of the aircraft, and the utilization of power electronic conversion is continuously increasing in the MEA context. Thus, power electronics is one of the most important enabling technologies for the MEA umbrella [89]. The focus of this paper is on the S/G applications, and the basic options for the on-board power distribution with the associated requirements for the PEC interface are presented in this section.

As mentioned in Section II, the PEC configuration of an S/G must be bi-directional, operating as a rectifier in generator mode and as an inverter in starter mode. Thus, the main differences in the configuration of the PEC interface depend on the power distribution system. However, the functional requirements for the machine-side of the PEC interface are independent of whether the S/G is interfaced to a DC- or an AC-distribution system. A summary of the most relevant

bi-directional PEC topologies applicable for S/Gs (covered in the latest research) is presented in Table 1, which highlights the merits and demerits of each topology, depicted in Fig. 5. In the following, the interfaces will be described more closely in terms of the type of distribution system in the aircraft.

A. AC DISTRIBUTION SYSTEMS

The general configuration of an S/G interfaced to an AC distribution system by a PEC interface is depicted in Fig. 2a). Indeed, AC distribution systems have traditionally been utilized for aerial power grids, and both solutions with constant frequency and flexible frequency (i.e. frequency-wild systems) have been widely applied. For systems with AC-distribution, a full-scale AC-to-AC power conversion stage is necessary for providing the controllability required by an S/G. A PEC interface can be provided by either two-stage AC/DC and DC/AC topologies or by a single-stage direct AC/AC conversion.

It should be mentioned that passive diode rectifiers have traditionally dominated as AC-to-DC converters in aircraft power systems due to their high reliability. Indeed, passive rectification is still a relevant solution for WFSMs interfaced to DC distribution systems or as an interface between frequency-wild and fixed frequency distribution systems. However, power quality and tight EMI requirements is also a major concern for the future large power demand required in the MEA systems [90]. Thus, active converters are increasingly studied for MEA applications. Furthermore, passive

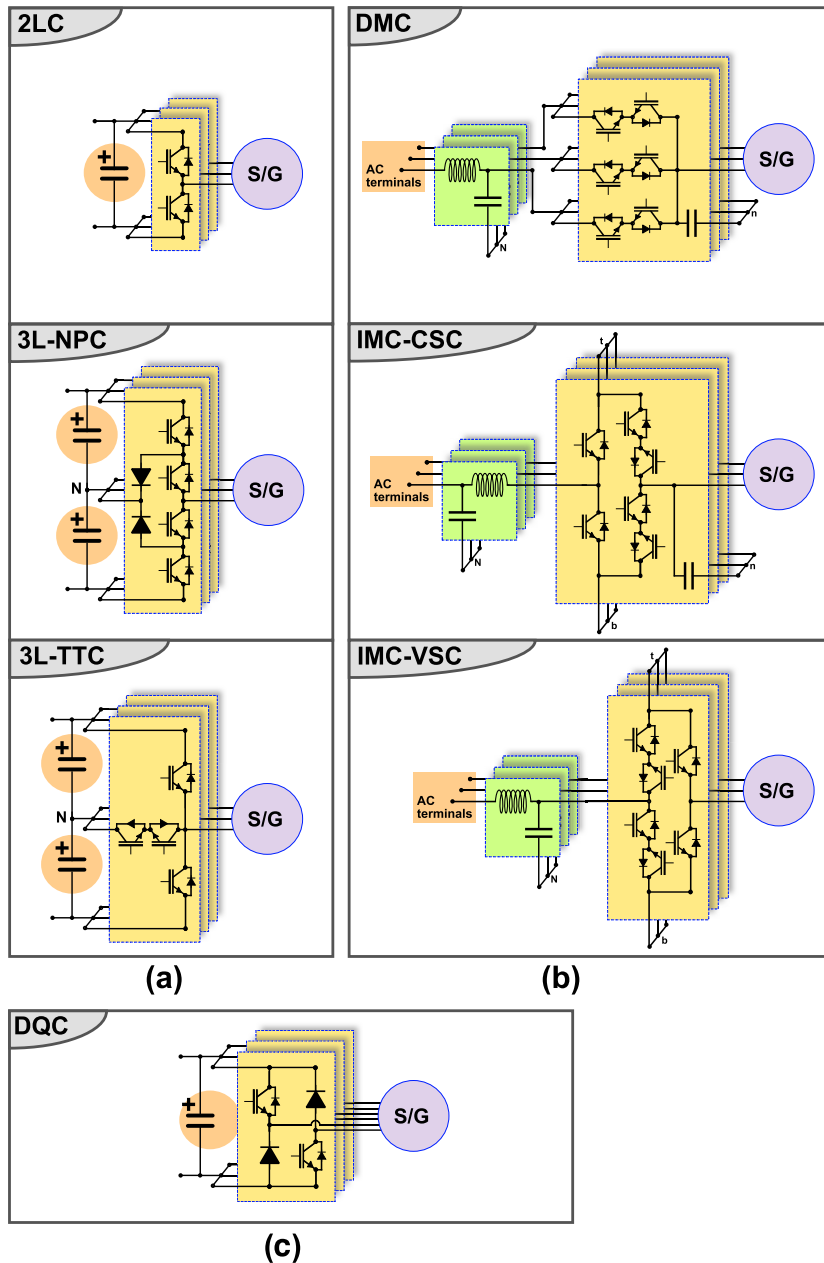


FIGURE 5. PEC interfaces suitable for S/Gs. a) AC/DC interfaces, including the two-level converter (2LC), the three-level neutral point-clamped converter (3L-NPC) and the three-level T-type converter (3L-TTC). b) AC/AC interfaces, including the direct matrix converter (DMC), the indirect matrix converter with current-sourced converter at S/G side (IMC-CSC) and the indirect matrix converter with voltage-sourced converter at S/G side (IMC-VSC). c) The full-asymmetric dual-quadrant converter (DQC), exclusive for reluctance machines (RMs).

rectifiers are not applicable to S/G systems, and are, therefore, not further discussed in the following.

1) TWO-STAGE TOPOLOGIES

The classical machine-side PEC topologies studied for S/Gs are depicted in Fig. 5 (a). Indeed, two-stage topologies based on voltage source converters (VSCs) with an intermediate DC-link capacitor is the most common design. The two-level converter (2LC) utilizes the least amount of active switches,

yielding simplicity and trustworthiness. The three-level neutral-point-clamped converter (3L-NPC) or the three-level T-type converter (3L-TT) are commonly employed to accomplish increased efficiency, higher fundamental frequency and minimal EMI emissions, without increasing the switching frequency of the semiconductor devices [79], [84], [91]. The reluctance machine drive is configured with phases that are controlled separately by dual quadrant converters (DQCs), as depicted in Fig. 4 d) and Fig. 5c).

The configurations in Fig. 4, Fig. 5a) and Fig. 5c) are all configured with a DC capacitor. As a result, they are directly applicable for DC distribution systems, as assumed in Fig. 2 b). However, high voltage DC distribution (270/540 V or higher voltage levels) based on VSCs with DC-side capacitors also introduces concerns on the protection and the fault handling, which relies on emerging semiconductor-based breakers [63]. Thus, current-source PEC interfaces can also be considered, as suggested in [14], although they are not currently common for MEA applications. Furthermore, the remaining challenges with high power DC distribution systems imply that AC-distribution systems are still relevant. Thus, direct AC/AC conversion systems are also being considered to avoid the two-stage conversion process with the intermediate DC-link.

2) DIRECT AC/AC CONVERSION WITH CAPACITOR-FREE TOPOLOGIES

DC-link capacitors are one of the most frequency sources of failures in PECs [14], [64], and they contribute to overall weight and volume. In mitigating the need for a large DC capacitor in a two-stage conversion, matrix converters can directly convert from variable frequency AC to fixed frequency AC without a DC-link [30]. As an example, an indirect matrix converter (IMC) is studied in [87]. Matrix converters, without a DC capacitor interface, have for many years been a suitable choice of the converter when compact solutions with high power density are required. Traditionally, a significant motivation for capacitor-free solutions has also been to increase reliability by avoiding electrolytic capacitors. Topologically we can find several matrix converter alternatives within the classes of direct and indirect matrix converters (DMC and IMC), as shown in Fig. 5b). They differ in the modulation principle and the number of switches. However, the lack of a buffer capacitor makes this type of conversion more vulnerable to faults and imposes strict requirements for the controllers. In general, control of these type of converter features higher complexity than for AC/DC converters. Moreover, direct matrix converters can experience challenges with over-current limitation in starting mode. In avoiding this problem, the indirect matrix converter has been proposed for S/G applications [87].

B. DC DISTRIBUTION SYSTEMS

The typical configuration of an S/G unit interfaced with a DC distribution system was depicted in Fig. 2b). As outlined above, constant frequency AC-distribution employing the highlighted interfaces in Fig. 5a) is most commonly based on two-stage AC-DC-AC PEC configurations, which adds extra hardware and losses to the MEA technology. These considerations make a case for the high voltage DC-bus (HVDC) configuration [31]. Thus, DC distribution in aircraft systems is becoming more attractive as the power levels are increasing while both generation and load are predominantly based on power electronics interfaces. Indeed, DC distribution can in many cases save two conversion stages (i.e. DC-to-AC and

AC-to-DC) between the power source and the load. Furthermore, increased voltage levels are also being considered for reducing losses and weight of the cables of the distribution system when the required power levels are increasing. Thus, the power distribution system for the E Fan-X HEA project is assumed to be at 3 kV DC [1].

As already explained, Fig. 5a) shows the typical AC/DC converter configuration with DC-side capacitance. Thus, these topologies are directly applicable for AC-to-DC conversion in DC distribution systems.

C. PROSPECTS AND CHALLENGES OF ONGOING PEC DEVELOPMENTS FOR S/G APPLICATIONS

Although not extensively treated in the following, it is worthwhile mentioning that many of the ongoing developments of PEC technology are supporting the potential for electrification of aircraft systems. Especially, the developments towards the commercial application of wide bandgap (WBG) semiconductors are expected to have significant implications on the development of MEA applications. Applications of PEC solutions based on WBG are already widely considered for the established voltage levels of aircraft distribution systems [85], [92]–[94]. Indeed, the use of WBG devices is generally advantageous for reducing losses and for increasing switching frequency, which again can influence the power density. The characteristics of WBG devices are also expected to support higher reliability of PEC units for MEA applications [95]. Furthermore, especially silicon carbide (SiC) devices have the potential to enable the high-temperature operation of PEC interfaces.

For the established MEA applications, the potential improvement of power density might be most significant for DC/DC converters and/or DC/AC inverters operating as an interface between a DC-stage and a fixed frequency AC distribution system. Indeed, the achievable power density of these applications can benefit from the reduced size and weight of magnetic components enabled by increased switching frequency, and/or from reduced cooling requirements due to lower losses. However, for high power S/G application, the use of SiC devices also has significant potential to support the development of distribution systems at higher voltage levels. Thus, MW scale medium voltage systems based on SiC or hybrid Si-SiC PEC solutions are already being considered for future hybrid aircraft systems [96], [97], and this is also reflected by S/G specifications for the E-Fan X project [1]. Furthermore, the capability for high switching frequency operation can be necessary for effective utilization of coreless machines with low inductance and for ultra-high-speed operation with fundamental frequencies reaching the kHz-range [98].

The use of WBG devices can also introduce additional challenges for the insulation system design in MEA and HEA applications. Generally, reducing the switching losses by taking advantage of the potential for faster switching of WBG devices, will increase the challenges with EMI and the potential for partial discharge activity in insulation

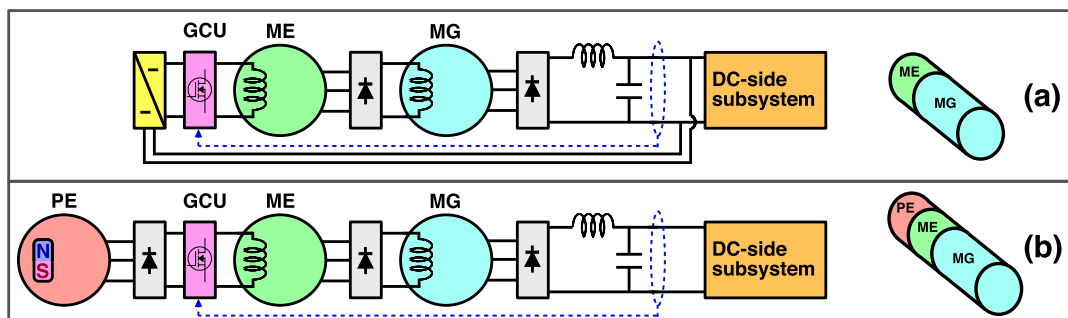


FIGURE 6. Examples of WFSM configurations without active PEC on the stator side feeding a DC-side subsystem [108]. The architectures do not have bidirectional electric start functionality. GCU = ‘generator control unit’, ME = ‘main exciter’ and MG = ‘main generator’. a) Two-stage excitation system. b) Three-stage excitation systems with pilot exciter (PE).

materials [41], [42], [99]. Thus, the utilization of SiC devices in established converter topologies for S/G applications and other electromagnetic actuators, might lead to the need for dedicated dV/dt -filters [100], [101]. Furthermore, the stresses on the insulation materials will increase with the voltage level and the dV/dt during switching. Thus, utilization of multilevel converters can be a suitable approach for reducing the stress on insulation materials [102]. As a consequence, multilevel PEC topologies are expected to become more important when utilizing WBG technology to reduce switching losses while increasing the voltage levels. However, there also exists examples of machine designs that can tolerate high dV/dt without suffering increased problems with partial discharges [103]. Therefore, in line with the recent trends, multi-physical design tools are needed for PECs for future industry advancements [104]–[106], where the machine design objectives are included [107].

IV. WOUND-FIELD SYNCHRONOUS MACHINE AS STARTER/GENERATOR

Brushless WFSMs are extensively used as the generator technology in conventional aviation [21]. Moreover, it is the classical solution for high-power inverter-fed electric drive systems [109]. Nowadays, WFSM is a robust solution with a high level of trustworthiness and simple maintenance. Therefore, it is still a very competitive solution for MEAs with either constant frequency, flexible frequency or DC distribution systems. The main advantages are high power generation capacity over a broad speed range and fail-safe fault handling. In general, the rotor of the WFSM has high thermal inertia, which makes the machine less sensitive to short-term overloading [110], [111]. On the contrary, PMs are more vulnerable to thermal transients. However, the WFSM is not competitive for smaller aerospace systems, considering the overall costs.

A. GENERAL PERFORMANCE PROPERTIES OF WFSMs

For larger machines, WFSMs avoid the relatively high costs of PMs but at the expense of increased size and weight (if no superconductor designs are employed). Consequently, WFSMs can compete with the PMMs in the segment for large generator systems. However, WFSMs need a DC supply

for the wound rotor winding. An additional winding to be controlled adds complexity and total weight to the system. Moreover, brushes and slips rings should be eliminated in ultra-secure MEAs. In line with these considerations, a rotating transformer or a brushless excitation system is required. A classical brushless rotating exciter solution with two electrical machines is depicted in Fig. 6a). Moreover, the three-stage system with three electrical machines on the same shaft [112] is illustrated in Fig. 6b). Both are illustrated for a DC distribution system. The three-stage system consists of a main generator (MG), a main exciter (ME) and a pilot pre-exciter (PE). The small-size PE is conventionally a permanent magnet generator (PMG) that extends the shaft. However, it can be eliminated by alternative external supplies [113] or fed from the DC bus, as seen in Fig 6a). A conventional field-wound brushless exciter (configured as an inside-out WFSM) can only excite the main machine in generator mode since a non-zero mechanical speed is required to deliver excitation power to the rotary domain. To be able to operate from standstill, different topologies of asynchronous brushless exciters are used, as further explained in Section IV-B.

1) SPEED LIMITS OF WFSMs

Classical WFSM are usually found in the lower speed range of commercial aircraft solutions, i.e., 10 to 25 krpm [21]. The challenges in reaching higher machine speeds are the main limitation for increasing the power density of WFSMs. In fact, brushless excitation and rotating diode rectifiers add space on the rotary shaft, and their mechanical limitations restrict the maximum speed of the WFSM (see Fig 7). An advanced design solution for the whole brushless WFSM is needed to mitigate mechanical malfunctions. In practice, the radial dimensions must be minimized to restrict the centripetal forces, and the rotating diode rectifier is placed inside the ME rotor to save axial space. A maximum realistic speed limit is perceived to be around 20 krpm [55], but there are efforts to push this limit for larger machines. In fact, the integrated drive generator (IDG) of the Boeing 777 aircraft (first flight 1994) operates at 24 krpm [114]. Moreover, it can be found that a fully functioning WFSM from 1981 was tested

with 28 krpm at a power density of 2.47 kW/kg [115]. Even though the speed is impressive, there are many opportunities to improve the WFSM for higher power densities at higher speeds. In this way, it can compete with alternative solutions (e.g., the PMM). In fact, Honeywell demonstrated a WFSM prototype in 2013 that could achieve a power density as high as 7.9 kW/kg at 19 krpm [116]. Such demonstrations prove that the WFSM could join the competition with the more modern electrical machine topologies for MEA S/Gs.

2) BENEFITS OF THE ROTOR FIELD CURRENT CONTROLLABILITY

The WFSM yields diverse opportunities in terms of optimization. It has three control states, i.e., the d-axis armature current (I_d), the q-axis armature current (I_q) and the rotor excitation current (I_f). The excitation current is a variable that can be minimized with dedicated design optimizations. Moreover, the excitation current can be controlled to achieve the needed flux de-regulation capacity. In addition, a redundant de-excitation circuit improves the security for the S/G [117]. This because it has the opportunity to eliminate the fault current shortly after a short-circuit or a high voltage occur. The de-excitation circuitry functions independent of the PEC at the armature-side, thus achieving a fail-safe solution. During high-speed flux de-regulation mode, the power factor and the efficiency are still high. The synchronous rectifier mode can be applied under generator operation to limit EMI and enhance efficiency (converter losses). The possibility to run the stator with passive power electronics (diode bridge rectifier) to feed a DC bus is a significant benefit for WFSMs. Such a passive interface would typically have a failure rate of about 25% of the failures of active PECs [118]. In addition, the low transient reactances makes the commutation voltage drop during diode bridge rectifier operation to be small [119]. Such considerations favour combinations of active PEC for engine starting (or an engine-integrated motor starter) with passive rectifier operation in generator mode. WFSM is the only solution that can provide constant-voltage variable-frequency (CVVF) without being fed by active PECs at the stator side.

Fig. 6 depicts two classical configurations where the WFSM works as a DC generator, i.e., the two-stage and the three-stage configuration. There are also other types of more advanced two-stage systems available, based on rotating PECs [120]–[122]. In this approach, the WFSM only needs a generator control unit (GCU) to control the field current of the main generator (MG) via the main exciter (ME). An uncontrollable diode bridge is applied at the stator side [123], [124], which promotes reliability and fault-tolerance [125]. Rotor position sensors are not needed in this configuration. This classical solution yields a very robust, simple and practical control scheme, but at the cost of slow dynamic response. For faster dynamics, rotating power electronics (RPE) is needed on the shaft of the MG, where a lot of different solutions exists [126]–[128]. There is also a myriad

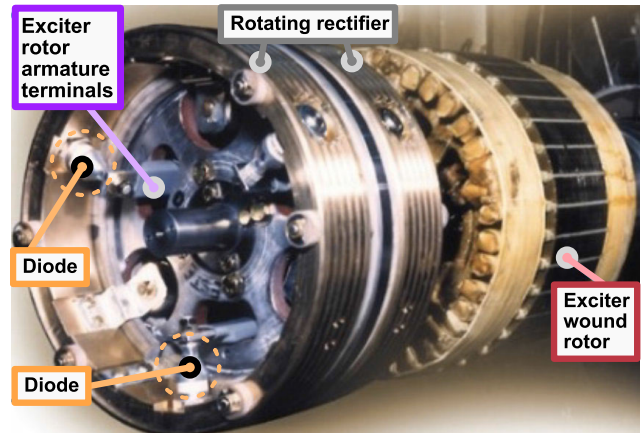


FIGURE 7. Rotor of main exciter (ME) and externally-mounted rectifier for a high-speed synchronous WFSM [133].

of available exciter-less solutions that eliminates the need for an external source to the ME [117].

3) CHALLENGES AND SOLUTIONS TO THE ROTOR FIELD CURRENT CONTROLLABILITY IN ELECTRIC STARTING-MODE

The ME armature and the MG armature should be coordinated during starting mode of the WFSM [129]. Excitation boosting during starting is a great benefit of the WFSM to improve the starting process. However, this functionality demands carefully designed exciters with dedicated control methods. Without the use of measured rotor quantities, the MG excitation current is unknown. Among the challenges is the increasing complexity added due to the starting mode, i.e., the control strategy is significantly different from the generator mode. The strategy must mitigate the non-linearities in order to magnetize the WFSM with good controllability at zero speed. The electromagnetic coupling between the ME and the MG is especially strong during the starting process. In addition, the rotating diode bridge between them introduces non-linear behaviour. Therefore, a decoupled control strategy with coordination has been recently developed [130].

The main excitation schemes are based on asynchronous exciter (AE) machines, however, rotating transformers and efficient capacitive transmissions have been proposed to make the WFSM less speed-dependent [131]. Such concepts have a unique potential to improve the overall weight of WFSMs as a result of the on-going breakthroughs in material science [132].

B. BRUSHLESS ASYNCHRONOUS EXCITER STARTING-MODE SOLUTIONS FOR WFSMs

In the following subsections, the three possible brushless asynchronous excitation (AE) methodologies for WFSMs in electric starting mode are described. The main points are then highlighted in Table 2.

1) ONE-PHASE BRUSHLESS AE

The one-phase AE is similar to a classical synchronous exciter, as depicted in Fig. 8. However, the field winding in

TABLE 2. Outline of the excitation solutions for WFSM starter-generator functionalities.

Exciter type	Benefits	Drawbacks	Reference
<i>One-phase AEs</i>	<ul style="list-style-type: none"> • The ME can be a standard synchronous machine; • Ease of control in generator mode; 	<ul style="list-style-type: none"> • Limited and pulsating excitation in starting mode; • Poor starting torque capability; 	[134]–[137]
<i>Two-phase AEs</i>	<ul style="list-style-type: none"> • Contributes with high starting torque; • Simple control criterion in generator mode; 	<ul style="list-style-type: none"> • Uncommon topology for standard exciters; • Need to oversize a single converter leg 	[138]–[143]
<i>Three-phase AEs</i>	<ul style="list-style-type: none"> • Contributes with higher starting torque; • Wound-rotor IMs are a standard product; 	<ul style="list-style-type: none"> • 12 IGBTs converter topology for DC excitation ; • Complicated control method in generator mode; 	[68] [144]–[147]

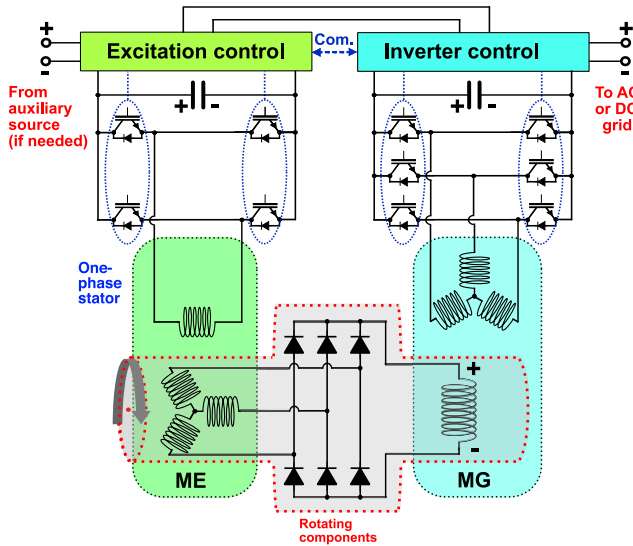


FIGURE 8. The asynchronous excitation system reported in [135], [136], with a single-phase configuration, where ME is the main exciter and MG is the main generator.

the stator can be supplied with both DC and AC voltages. In fact, an AC current is required to magnetize the WFSM from zero speed [134]. However, it is largely restricted by ripples in the excitation power. Moreover, the high field inductance limits the AC current, which deteriorates the performance during the starting process. Such considerations make the one-phase AE insufficient for off-the-shelf solutions in high-power MEAs [113]. As the WFSM approaches a sustainable speed, the AE is fed with DC current instead of pulsating AC current. The DC excitation is simple to control; however, it can only be used in the generator condition.

2) TWO-PHASE BRUSHLESS AE

To solve the issues with the one-phase AE, the AE can be arranged with two orthogonal stator windings (displaced 90 degrees electrically). It can enhance the excitation efficiency during electric starting condition (see Fig. 9). A high current rating is needed for a third return conductor, as depicted in the figure. It has other benefits, such as higher power density and lower kVA/kW input-to-output ratio of the exciter machine. The arrangement can directly generate a rotating magnetic flux from the stator-side of the AE without pulsations, and it behaves electromagnetically as an asynchronous generator. The control of the starting

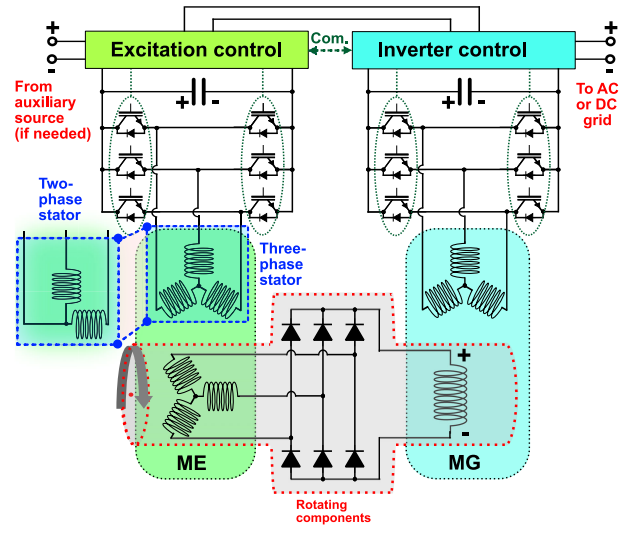


FIGURE 9. The asynchronous excitation systems configured as a two-phase arrangement [139], [140] and as a three-phase arrangement [68] (combined schematic), where ME is the main exciter and MG is the main generator.

process can be straightforward if the rotating excitation field is sustained. This is feasible by controlling the two-phase currents of the AE stator, in order to sustain a relative speed difference between the rotor and the rotary magnetic flux of the ME [139].

Under the generator mode, DC currents will feed the stator armature of the AE. Equal excitation current in both windings ensures uniform thermal stress in the AE. In principle, the generator mode control strategy becomes equal to the one-phase arrangement explained in the previous subsection.

3) THREE-PHASE BRUSHLESS AE

Fig. 9 also depicts the three-phase AE that can enhance the excitation of the WFSM during the starting process [113], just as the two-phase AE solution. In this arrangement, the stator has three distributed armature windings, that can be supplied with AC voltages during the starting process [148]. This solution operates similar to the three-phase rotating transformer in the starting mode. It is a matter of the fact that a rotary flux is possible using both a two-phase and a three-phase AE. In achieving simple control of the three-phase AE in generator mode, a dual inverter is proposed to reconnect the three-phase windings for DC excitation [149]. However, the arrangement becomes more complex than the two-phase

AE solution. This is because all phases must be opened between the inverter legs. As a result, it requires 12 IGBTs, which inevitably complicates the overall PEC interface (twice the number of switches for a 2L VSC topology). The final assessment between the AEs is highlighted in Table 2.

V. ALTERNATIVE ELECTRICAL MACHINE FAMILIES OF STARTER/GENERATOR CONCEPTS

This section explores the alternative machine families to WFSMs as high-power topologies and S/Gs in future MEAs. A significant amount of the commercial high-speed electrical machine solutions are made by IMs, PMMs or RMs. Those will be covered in the following.

A. THE INDUCTION S/G

Induction machines are well-known for covering a privileged position, among the different electrical machines, when it comes to failure robustness and safety [150]. In general, they can be classified as a good compromise between reliability and performance. Considering the passive rotor configuration, they boast the ability to support high-temperature operation (up to 250°) [5]. Moreover, by adopting a multi-phase architecture, they can remarkably boost the reliability and, more particularly, include the possibility to operate under single-phase fault circumstances [151]. With the aim of enhancing the internal power flow, a double set of stator windings was proposed in [152].

It is worth mentioning that significant rotor losses can contribute to low efficiency. Moreover, wound-rotor architectures have limited fault tolerance. The low torque density, along with the reduced reliability, in starting mode were highlighted in [151]. Moreover, the full-power converter on the stator side may have to be oversized if higher starting torque is required. Furthermore, the stator is also required to provide the magnetizing current. As a consequence, in case of wider clearance required for the air gap (e.g. due to vibration), an added burden on the power converter side is inevitable.

The adoption of doubly-fed induction machines (DFIMs) were investigated for an aero-generator application in [71]. The goal was to replace the hydraulic constant speed drive (CSD), to meet the variable speed operation of the engine. The inverter controlling the rotor winding is designed with a fraction of the full system rating; thus, reducing the power converter cost and achieving variable speed operation with no additional mechanical components. The latter point is what has made DFIMs an interesting option in several applications. However, it is worth noting that the power to the rotor is supplied by means of slip-rings and brushes, which reduce reliability, especially considering harsh operating environments. On the other hand, the brushless configurations for DFIMs require rotating power electronics (RPEs), which yields a complicated overall system [153].

B. THE PERMANENT MAGNET S/G

The drop in the price of PM material, combined with a significant improvement in performance, initiated several new

developments in the family of permanent magnet machines (PMMS). The main benefit lies in the absence of any active component in the rotor, which leads to inherent high power density and efficiency. The peak torque, which would be available even at zero speed operation, may be limited by power electronics devices ratings, thermal limits and demagnetization concerns.

The design of PMMs can be aimed at increasing the admissible operating range by allowing flux-weakening operation. In such a case, a high-efficiency operation can be observed with high d-axis current beyond the rated operating point. The adoption of concentrated windings does help in this regard, enhancing the flux-weakening capability and providing a more fault-tolerant design at the same time [154].

With the aim of widening the operating range of PMMs, the need for a focused and optimized design procedure is essential [155]. Nevertheless, a proper design process is required to account for reliability as well. The risk of demagnetization is to be suitably assessed both for transient overload operation and high-temperature operation. Permanent magnets happen to be vulnerable to corrosion, and this might become a crucial aspect when it comes to meet aerospace requirements. This being said, the use of Samarium-Cobalt (Sm_2Co_{17}) as PM can be advantageous considering the ability to operate up to 300°C [156] (maybe up to 350°C [157]), although 300°C appears to a reasonable worst-case temperature for the PMM S/G [55]. Operation at such critical temperatures would inevitably impact the machine lifetime and its ageing. In this regard, stator cooling could help to reduce the temperature-dependent copper losses; thus, increasing the insulation lifetime [158].

Compared to other machines described beforehand, PMMs have a permanent excitation. This means that uncontrolled speed overshoots or PEC failure during flux-weakening operation may lead to the potentially disruptive induced voltage on the power converter itself. In fact, all voltage regulation of PMMs and foolproof functionalities has to be embedded in the PEC interface. There are standards specifying that equipment survive an open phase-loss [159]. Another potential risk is the turn-to-turn short-circuit fault. As a consequence, fault-tolerant machines are being developed, and detection schemes are being investigated [160], [161]. Another concern related to high-speed operation is the centrifugal force acting on the magnets [157]. This problem is particularly relevant for in-runner machines, where a retaining sleeve is to be conveniently designed to avoid magnets detachments. For outrunner PMMs the problem may not occur if the backing iron is thick enough to withstand the forces.

C. THE RELUCTANCE S/G

Despite the fact that reluctance machines (RMs), has not seen its arrival in commercial aircraft, they appear to be a rather known type of S/G in military aircraft like the Lockheed Martin F-22 from the early 2000s [39], and they have been applied for aircraft development from the early 1990s [162].

The justification can reasonably be ascribed to the lesser power demand required by military aircraft. The ease of construction, along with the robust topology given by the basic single-element rotor topology and concentrated stator windings, appear to be the main strengths of this type of machines [163]. The absence of any field source applied to the common single laminated rotor part contributes to the high-reliability grade of this topology. Considering the challenging thermal design required by future aircraft applications; the limited rotor cooling requirements for RMs could push the temperature limit in the 400°C range [164] thus, showing inherent adaptability to very harsh operating conditions. However, as a drawback, the windage losses tend to be magnified by the salient shape of the rotor; hence, limiting high-speed operation [164]. As a solution to the latter problem, the gaps could be filled with non-magnetic material at the expenses of complicating the construction process. Although the added material increases the weight, the higher inertia helps to smooth torque pulsations. On the PEC side, one could argue that despite the overall tailored topology and dedicated control algorithms, the possibility of adopting off-the-shelf components, i.e., utilizing two bridges consisting of three legs or three H-bridges could reduce the manufacturing costs.

In view of the inevitable growth of MEA solutions, the SRM covers an attractive position when it comes to choosing the optimal S/G; especially if the inherently wide operating range is highlighted. However, among the main and well-known drawbacks of high power SRMs, the lower efficiency, compared to the opposing machines listed beforehand, has an important impact when classifying the potential solutions. The efficiency can be as low as 80-82% [77], [156], and the power density cannot be as high as PM machines [165], albeit it could find a fair comparison against IMs [166]. Conventional machine designs along with standard switching devices, yield low starting torque capability, which represents a non-negligible aspect when it comes to considering SRMs for S/Gs. As shown in Figs. 4d) and Fig. 5c) the PEC interface consists of a dual-quadrant full-asymmetric bridge for each phase, allowing independent control of each and every phase. It is worth mentioning that in generator mode the voltage ripple is significant, and torque pulsations appear to be an intrinsic drawback. Nevertheless, differently from what would happen for PM machines, SRMs are inherently safe against failure on the PEC side during high-speed operation, since the induced voltage will be zero.

VI. PRESENT STATUS, ADVANCEMENTS AND TRENDS

Different aspects have been explored throughout the paper regarding the most relevant electrical machine families and power electronic conversion interfaces for aircraft power generation. As of today, the largest built and tested electric aircraft generator is the 2.5 MW Mark 1 PMM that is preliminary just built for validation and simulation purposes [1]. It is not yet optimized in terms of weight, neither for the PEC nor the machine itself. This was the objective for the

next version, i.e., Mark 2. Finally, the third version (Mark 3) was intended for installation in the flying system. However, the remaining parts of the E-Fan X project has been cancelled. Still, it is possible to draw some conclusions regarding the performance of the design from the Mark 1 (i.e., technology readiness level 5) [1].

1) THE EFFICIENCY PERSPECTIVE

The efficiency is a critical performance indicator for electrical machines. From a detailed analysis, an efficiency map for different loads and speeds can be obtained, which depicts a performance footprint of the machine. Fig. 10a) depicts the efficiency contours for the Mark 1 2.5 MW PMM generator [1]. The speed-dependent no-load losses of the machine, plotted separately in Fig. 10b), are less than 0.5%. The expected total losses in this type of machine are typically about 1-2%.

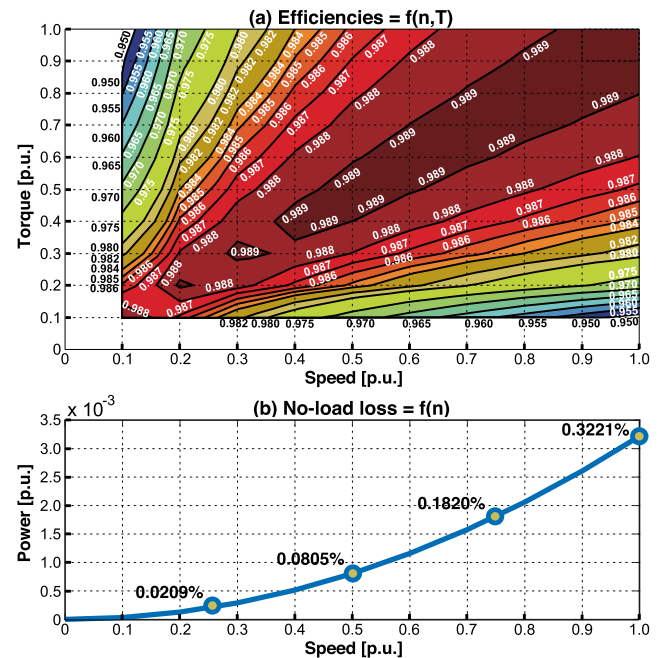


FIGURE 10. Characterization of the world's most powerful aerospace generator, Mark 1, for the E-Fan X project (hybrid-electric commercial aircraft). The ground-based prototype 2.5 MW, 14.5 krpm PMM S/G is depicted in Fig. 1 (Courtesy of Rolls Royce Electrical Norway) [1]. (a): Isoefficiencies of the load matrix with torque base: 1.64 kNm. (b): No-load losses with power base: 2.50 MW.

TABLE 3. Efficiency comparison of large aircraft generators with a DC power architecture.

Source	Type	Voltage	Rating	Eff.	Ref.
RR	PMM	3.00 kV DC	2.50 MW	98.9 %	[1]
Honeywell	WFSM	0.60 kV DC	1.00 MW	97.0 %	[116]
GE	RM	0.27 kV DC	0.25 MW	93.1 %	[162]

In Table 3, the Mark 1 prototype is compared to competing machine types. It can be seen that the voltage level is correlating with the power rating of the machines. It is as expected that the PMM generator has the highest efficiency, but the WFSM has quite high efficiency as well. It shows

that the competition is a close race. The efficiency saves fuel and cut emissions. NASA's generator efficiency requirements for future aircraft have been specified to be 99.3% [167]. However, there are other issues that must be addressed as well, such as weight, safety and reliability concerns.

2) MACHINE SPEED AND POWER DENSITY REQUIREMENTS

When it comes to commercial aircraft, the trend is clear. The aircraft Boeing B787 from 2009, is the most electrified MEA solution and it uses WFSMs as the selected solution for its 250 kW starter-generator (power density of 2.5 kW/kg power). It is well known that the WFSM is an attractive topology for large aerospace generators. It appreciates high trustworthiness and intrinsic security with a fail-safe and adjustable excitation. The WFSM can operate with unity power factor for all speeds when the excitation system handles the flux management (excitation power is generally around 1-2% of nominal rating). However, challenges in achieving higher feasible maximum speeds limit the theoretical power density potential. In fact, the main rating of the AEGART S/G system is 32 krpm, which outperforms the WFSM in terms of maximum speed [55]. However, there is still significant research going on for WFSMs, especially on excitation systems and its related control implementations to include electric starting capability. Moreover, the Honeywell Future Aerospace demonstrator for WFSM has been shown to achieve a power density of 7.9 kW/kg at 19 krpm [116] with a total power of 1 MW. This is an auxiliary power unit (APU), not directly customized for propulsion. By solving major mechanical challenges related to high-speed operation, the WFSM will continue its existence in aircraft applications in the future as well. The WFSM technology will be less sensitive to major breakthroughs in the reliability of PEC interfaces.

At the present technology stage, the Mark 1 2.5 MW PMM has not been optimized for weight. The potential for the next Mark 2 prototype is promising. In fact, the PMM appears to be a competitive solution to improve power density. The mentioned AEGART prototype announced 16 kW/kg power density for its high-speed PMM technology combined with 4 kW/kg for the PEC interface [55]. In comparison, a recently reported RM technology achieves only about 1.27 kW/kg [77], i.e. a 92% lower power density. It is generally recognized that ultra-high-speed design would be needed to take full advantage of the RM power density potential. In general, RM performances is somewhat related to behaviours of IMs. Both topologies generate relatively higher kVA/kW ratios since their stator armatures have to induce the main magnetic field to catalyze in their operation.

3) SUPERCONDUCTING MATERIALS

In enhancing the aeroplane fuel efficiency further, it is perceived that the power density must climb towards 30 kW/kg for electrical machines. New technologies must be under consideration as well, in order to get this massive improvement. Since its discovery in 1987, superconducting materials have

not made a commercial breakthrough in electrical machine applications [186]. Although superconducting machines have been successfully demonstrated [187], large-scale commercial success is missing. Superconducting machines embed materials that can handle massive amounts of currents with no resistance. As a result, high currents can flow in armature windings without dissipating heat. It enables smaller machines, i.e., up to a third of the volume and the mass. Even superconducting WFSMs (both stator and rotor) has been shown to have 24% less weight than a corresponding PMM [188]. Since superconducting solutions is still a wide-open research topic, it does not seem to be always clear whether the very high reported power densities do account for the cooling system or not. In this regard, a big challenge is introduced in the optimization of cryocoolers' specific mass (kg/kW mass over input power required) to meet the specific power requirement of the whole system, i.e., superconducting machine + cryocooler. [189]. The future success of superconducting solutions is left for future investigations.

4) NEEDED DEVELOPMENTS FOR MACHINES AND PECs

This paper highlights that significant advancements are currently occurring for PMMs in aerospace applications. However, the alternative competitors explored in this survey are still relevant due to the issues regarding failure tolerances, trustworthiness and inherent security. Current methods intend to optimize both electrical machines and PECs in a combined multi-physics environment [55], in a way to overcome the demerits of the specific machine topology under consideration. For the high-power machines, in general, and S/Gs in particular, future research would take advantage of a heavy focus on the following issues.

- 1) Ultra-high power density [190] with intensive cooling [67] integrated with PEC.
- 2) Potential for using coreless designs and/or superconducting materials.
- 3) Improved heat transfer properties using insulation materials with ultra-high thermal conductivity [191] to reduce hot spots.
- 4) High-temperature solutions (needed for PMMs) with improved heat management of end-windings [192].
- 5) High-voltage technology for high altitudes in aerospace applications (beyond 3 kV) [42], [193].
- 6) Efficient and lightweight PECs, based on WBG devices, for loss reduction and ultra-high switching frequency. An increased switching frequency can be required for high-frequency electrical machines [194] with high-speed operation, i.e., fundamental frequency (f) moving toward the kilohertz (kHz) territory, as well as solving challenges for iron-less (or coreless) machines with low inductance. The capability of WBG devices can also be utilized for improving power density by reducing the filtering requirements of PEC interfaces to AC or DC distribution systems. However, WBG-based designs must include careful trade-offs with respect to insulation stress.

TABLE 4. Outline of the electrical machine families for high-power machines and starter-generator topologies.

Machine type	Benefits	Drawbacks	Reference
Wound-field synchronous machines (WFSMs)	<ul style="list-style-type: none"> • Can generate with passive PEC on the stator-side ; • Optimal control through the three variables: I_d, I_q, I_f ; • Inherent de-excitation-related safety ; • Convenient voltage regulation ; • High power factor over a broad speed range ; 	<ul style="list-style-type: none"> • Multi-variable control algorithm complexity; • The additional exciter machine lowers the speed limit; • Complex starting control methodology; • State-of-the-art limits high machine speeds; • Extra exciters compromises overall weight and space; 	[68], [114] [135], [136] [139], [140] [168]
Induction machines (IMs)	<ul style="list-style-type: none"> • Wide speed range operation; • Inherently fault-tolerant topology; • Supports high rotor temperatures; • Natural field weakening ability; 	<ul style="list-style-type: none"> • Low power factor at high speed operation; • Burden of magnetizing current on the converter; • Reliable starting mode at lower torque; • Rotor cooling management; 	[16], [152] [169]–[171]
Permanent magnet machines (PMMs)	<ul style="list-style-type: none"> • High efficiency (even in flux-weakening mode) ; • Wider operating range for interior magnets topology; • High speed ability & power density; • High power factor over a relatively broad speed envelope; • Compact design with low mass; 	<ul style="list-style-type: none"> • Hazardous voltage if flux-weakening fails; • Demands auxiliary protection system for security; • Risk of irreversible demagnetization; • Magnets retention system needed for high speeds; • Does not include a foolproof de-excitation system; 	[55] [69], [70] [155] [172]–[175]
Reluctance machines (RMs)	<ul style="list-style-type: none"> • Suitable for high-speed operation; • Fault-tolerance in harsh environments; • Ease of manufacture with a one-material rotor; • Inherent overcurrent protection; • Expanded torque-speed range in motor mode; 	<ul style="list-style-type: none"> • Inferior efficiency and considerable torque ripple; • High voltage pulsations in generator mode; • Tailored converter design required; • Requires precise rotor position monitoring; • Depends on accurate control algorithms; 	[74], [77] [162] [176]–[185]

7) PEC failure investigations including thermal shock expansions, voltage peaks, mechanical stresses and environmental impacts [118]. Reliable PEC is especially important for PMMs and RMs, and further improvements are needed for high-power S/Gs. The impact of the PEC on the machine lifetime and trustworthiness must also be emphasized.

8) Safe, fault-tolerant and reliable machines, i.e., high precision manufacturing is needed with low tolerances in safety-critical applications.

VII. CONCLUSION

The prospect of this review article was to give an update on the trends in the research and advancement of high-power machine topologies and starter-generators (S/Gs) in more electric aircraft (MEA), also considering the cutting-edge developments in hybrid-electric aircraft (HEA). The intention was to provide a comprehensive overview of the different perspectives of the subsystems involved, which impacts the speed of take-off for the MEA paradigm and the electrification of aviation in general, with a main emphasis on the power generation systems. In summary, the key points of the different power electronic interfaces and machine families are highlighted in Tables 1 and 4, respectively.

In designing optimal overall solutions, sub-optimization alone is not going to be the only way to achieve better MEA designs because of the many conflicting ambitions in the different subsystems. For instance, less use of active PEC interfaces could, in the short term increase reliability while in the long term, reduce functionality. Moreover, mature technologies (e.g. WFSMs) performs with a high level of safety and reliability, but further advancements in power density is a challenging issue to be dealt with. Therefore, other potential solutions are assessed in parallel, such as the PMM topology. The initial results of the Mark 1 2.5 MW PMM generator are promising.

In dealing with the number of interrelated issues highlighted in this paper, a call for new design methods with

a holistic approach is advised for future developments beyond the state-of-the-art. Tools for the optimal and overall design of multi-physical systems will accelerate the take-off of the MEA initiative by decreasing the time of conception and the number of prototypes before the final product can reach a certain technology qualification level. The required tools must couple thermal, electrical and magnetic performances in its simulation modules to acquire accurate behaviour. The various physical components and the system overall is then treated as a whole, to optimize for the best overall solution, obtaining a trade-off between the output performances and the reliability levels. The possible new pathways and the multitude of possibilities will emerge from this global approach in pace with the ongoing advancements in the different parts of the systems, including the grid, the machine-side inverters and the machine itself.

REFERENCES

- [1] S. Øvrebø, S. Tiwari, and S. Skaar, "Test and validation of the mark 1 (2.5 MW) E-fan X generator," in *Proc. NATO AVT-RSY-323 Res. Symp. Hybrid/Electr. Aero-Propuls. Syst. Mil. Appl. (Session: Integr. Power-Train 2)*, Oct. 2019.
- [2] European Commission. 2011. *Flightpath 2050: Europe's Vision for Aviation—Report of the High Level Group on Aviation Research*. [Online]. Available: <https://ec.europa.eu/transport/sites/transport/files/modes/air/doc/flightpat%h2050.pdf>
- [3] B. Sarlioglu and C. T. Morris, "More electric aircraft: Review, challenges, and opportunities for commercial transport aircraft," *IEEE Trans. Transport. Electric.*, vol. 1, no. 1, pp. 54–64, Jun. 2015.
- [4] A. W. Schäfer, S. R. H. Barrett, K. Doyme, L. M. Dray, A. R. Gnadl, R. Self, A. O'Sullivan, A. P. Synodinos, and A. J. Torija, "Technological, economic and environmental prospects of all-electric aircraft," *Nature Energy*, vol. 4, no. 2, pp. 160–166, Feb. 2019, doi: 10.1038/s41560-018-0294-x.
- [5] G. Friedrich and A. Girardin, "Integrated starter generator," *IEEE Ind. Appl. Mag.*, vol. 15, no. 4, pp. 26–34, Jul. 2009.
- [6] B. S. Bhangu and K. Rajashekar, "Electric starter generators: Their integration into gas turbine engines," *IEEE Ind. Appl. Mag.*, vol. 20, no. 2, pp. 14–22, Mar. 2014.
- [7] M. Lukic, P. Giangrande, A. Hebala, S. Nuzzo, and M. Galea, "Review, challenges, and future developments of electric taxiing systems," *IEEE Trans. Transport. Electric.*, vol. 5, no. 4, pp. 1441–1457, Dec. 2019.
- [8] E. D. Ganev, "Electric drives for electric green taxiing systems: Examining and evaluating the electric drive system," *IEEE Electric. Mag.*, vol. 5, no. 4, pp. 10–24, Dec. 2017.

- [9] Y. Yang, H. Li, and C. Yu, "Energy optimization analysis of turbofan engine for more-electric civil aircraft," *IEEE Access*, vol. 8, pp. 34008–34018, 2020.
- [10] S. Wang, S. Zhang, and S. Ma, "An energy efficiency optimization method for fixed pitch propeller electric aircraft propulsion systems," *IEEE Access*, vol. 7, pp. 159986–159993, 2019.
- [11] J. K. Nøland, M. Leandro, J. A. Suul, M. Molinas, and R. Nilssen, "Electrical machines and power electronics for starter-generators in more electric aircrafts: A technology review," in *Proc. IECON-45th Annu. Conf. IEEE Ind. Electron. Soc.*, vol. 1, Oct. 2019, pp. 6994–7001.
- [12] M. Hirst, A. McLoughlin, P. J. Norman, and S. J. Galloway, "Demonstrating the more electric engine: A step towards the power optimised aircraft," *IET Electr. Power Appl.*, vol. 5, no. 1, pp. 3–13, Jan. 2011.
- [13] K. Rajashekara, "Parallel between more electric aircraft and electric hybrid vehicle power conversion technologies," *IEEE Electrific. Mag.*, vol. 2, no. 2, pp. 50–60, Jun. 2014.
- [14] V. Madonna, G. Migliazza, P. Giangrande, E. Lorenzani, G. Buticchi, and M. Galea, "The rebirth of the current source inverter: Advantages for aerospace motor design," *IEEE Ind. Electron. Mag.*, vol. 13, no. 4, pp. 65–76, Dec. 2019.
- [15] M. Galea, P. Giangrande, V. Madonna, and G. Buticchi, "Reliability-oriented design of electrical machines: The design process for machines' insulation systems MUST evolve," *IEEE Ind. Electron. Mag.*, vol. 14, no. 1, pp. 20–28, Mar. 2020.
- [16] F. Bu, H. Liu, W. Huang, Y. Hu, M. Degano, C. Gerada, and K. Rajashekara, "Induction-machine-based starter/generator systems: Techniques, developments, and advances," *IEEE Ind. Electron. Mag.*, vol. 14, no. 1, pp. 4–19, Mar. 2020.
- [17] J. Chen, Q. Song, S. Yin, and J. Chen, "On the decentralized energy management strategy for the all-electric APU of future more electric aircraft composed of multiple fuel cells and supercapacitors," *IEEE Trans. Ind. Electron.*, vol. 67, no. 8, pp. 6183–6194, Aug. 2020.
- [18] Y. Zhang, Y. Yu, R. Su, and J. Chen, "Power scheduling in more electric aircraft based on an optimal adaptive control strategy," *IEEE Trans. Ind. Electron.*, early access, Dec. 27, 2020, doi: [10.1109/TIE.2019.2960718](https://doi.org/10.1109/TIE.2019.2960718).
- [19] M.-C. Flynn, M. Szykiel, C. E. Jones, P. J. Norman, G. M. Burt, P. Miller, and M. Husband, "Protection and fault management strategy maps for future electrical propulsion aircraft," *IEEE Trans. Transport. Electrific.*, vol. 5, no. 4, pp. 1458–1469, Dec. 2019.
- [20] W. Cao, B. C. Mecrow, G. J. Atkinson, J. W. Bennett, and D. J. Atkinson, "Overview of electric motor technologies used for more electric aircraft (MEA)," *IEEE Trans. Ind. Electron.*, vol. 59, no. 9, pp. 3523–3531, Sep. 2012.
- [21] Y. Wang, S. Nuzzo, H. Zhang, W. Zhao, C. Gerada, and M. Galea, "Challenges and opportunities for wound field synchronous generators in future more electric aircraft," *IEEE Trans. Transport. Electrific.*, early access, Mar. 11, 2020, doi: [10.1109/TTE.2020.2980189](https://doi.org/10.1109/TTE.2020.2980189).
- [22] M. E. Elbuluk and M. D. Kankam, "Potential starter/generator technology for future aerospace application," *IEEE Aerosp. Electron. Syst. Mag.*, vol. 11, no. 10, pp. 17–24, Oct. 1996.
- [23] V. Madonna, P. Giangrande, L. Lusuardi, A. Cavallini, C. Gerada, and M. Galea, "Thermal overload and insulation aging of short duty cycle, aerospace motors," *IEEE Trans. Ind. Electron.*, vol. 67, no. 4, pp. 2618–2629, Apr. 2020.
- [24] V. Madonna, P. Giangrande, C. Gerada, and M. Galea, "Thermal analysis of fault-tolerant electrical machines for more electric aircraft applications," *J. Eng.*, vol. 2018, no. 13, pp. 461–467, Jan. 2018.
- [25] V. Madonna, A. Walker, P. Giangrande, G. Serra, C. Gerada, and M. Galea, "Improved thermal management and analysis for stator end-windings of electrical machines," *IEEE Trans. Ind. Electron.*, vol. 66, no. 7, pp. 5057–5069, Jul. 2019.
- [26] Z. Song, C. Liu, K. Feng, H. Zhao, and J. Yu, "Field prediction and validation of a slotless segmented-Halbach permanent magnet synchronous machine for more electric aircraft," *IEEE Trans. Transport. Electrific.*, early access, Mar. 23, 2020, doi: [10.1109/TTE.2020.2982733](https://doi.org/10.1109/TTE.2020.2982733).
- [27] M. Mazzoleni, F. Previdi, M. Scandella, and G. Pispola, "Experimental development of a health monitoring method for electro-mechanical actuators of flight control primary surfaces in more electric aircrafts," *IEEE Access*, vol. 7, pp. 153618–153634, 2019.
- [28] V. Madonna, P. Giangrande, and M. Galea, "Electrical power generation in aircraft: Review, challenges, and opportunities," *IEEE Trans. Transport. Electrific.*, vol. 4, no. 3, pp. 646–659, Sep. 2018.
- [29] J. Chen, C. Wang, and J. Chen, "Investigation on the selection of electric power system architecture for future more electric aircraft," *IEEE Trans. Transport. Electrific.*, vol. 4, no. 2, pp. 563–576, Jun. 2018.
- [30] B. Rahrovi and M. Ehsani, "A review of the more electric aircraft power electronics," in *Proc. IEEE Texas Power Energy Conf. (TPEC)*, Feb. 2019, pp. 1–6.
- [31] G. Buticchi, S. Bozhko, M. Liserre, P. Wheeler, and K. Al-Haddad, "On-board microgrids for the more electric aircraft—Technology review," *IEEE Trans. Ind. Electron.*, vol. 66, no. 7, pp. 5588–5599, Jul. 2019.
- [32] K. Ni, Y. Liu, Z. Mei, T. Wu, Y. Hu, H. Wen, and Y. Wang, "Electrical and electronic technologies in more-electric aircraft: A review," *IEEE Access*, vol. 7, pp. 76145–76166, 2019.
- [33] J. Chen, Y. Shen, J. Chen, H. Bai, C. Gong, and F. Wang, "Evaluation on the auto-configured multi-pulse AC/DC rectifiers and their application in more electric aircrafts," *IEEE Trans. Transport. Electrific.*, early access, Mar. 27, 2020, doi: [10.1109/TTE.2020.2983858](https://doi.org/10.1109/TTE.2020.2983858).
- [34] J. Benzaquen and B. Mirafzal, "Seamless dynamics for wild-frequency active rectifiers in more electric aircraft," *IEEE Trans. Ind. Electron.*, vol. 67, no. 9, pp. 7135–7145, Sep. 2020.
- [35] Z. Dai, J. Yang, D. Rao, J. Zhang, and Z. Zhang, "A global convergence estimator of grid voltage parameters for more electric aircraft," *IEEE Trans. Ind. Electron.*, vol. 67, no. 9, pp. 7540–7549, Sep. 2020.
- [36] Y. Zhang, J. Xia, X. Zhang, Z. Chen, B. Li, Q. Luo, and Y. He, "Modeling and prediction of the reliability analysis of an 18-pulse rectifier power supply for aircraft based applications," *IEEE Access*, vol. 8, pp. 47063–47071, 2020.
- [37] J. Benzaquen, F. Fateh, M. B. Shadmand, and B. Mirafzal, "Performance comparison of active rectifier control schemes in more electric aircraft applications," *IEEE Trans. Transport. Electrific.*, vol. 5, no. 4, pp. 1470–1479, Dec. 2019.
- [38] G. Buticchi, L. Costa, and M. Liserre, "Improving system efficiency for the more electric aircraft: A look at DCDC converters for the avionic onboard DC microgrid," *IEEE Ind. Electron. Mag.*, vol. 11, no. 3, pp. 26–36, Sep. 2017.
- [39] I. Moir and A. Seabridge, *Aircraft Systems: Mechanical, Electrical, and Avionics Subsystems Integration*, vol. 52. Hoboken, NJ, USA: Wiley, 2011.
- [40] S. Yin, K. J. Tseng, R. Simanjorang, Y. Liu, and J. Pou, "A 50-kW high-frequency and high-efficiency SiC voltage source inverter for more electric aircraft," *IEEE Trans. Ind. Electron.*, vol. 64, no. 11, pp. 9124–9134, Nov. 2017.
- [41] R. Rui and I. Cotton, "Impact of low pressure aerospace environment on machine winding insulation," in *Proc. IEEE Int. Symp. Electr. Insul.*, Jun. 2010, pp. 1–5.
- [42] Y. Wang, T. Balachandran, Y. Hoole, Y. Yin, and K. S. Haran, "Partial discharge investigation of form-wound electric machine winding for electric aircraft propulsion," *IEEE Trans. Transport. Electrific.*, early access, Mar. 6, 2020, doi: [10.1109/TTE.2020.2979009](https://doi.org/10.1109/TTE.2020.2979009).
- [43] H. Schefer, L. Fauth, T. H. Kopp, R. Mallwitz, J. Friebe, and M. Kurrat, "Discussion on electric power supply systems for all electric aircraft," *IEEE Access*, vol. 8, pp. 84188–84216, 2020.
- [44] V. Madonna, P. Giangrande, W. Zhao, H. Zhang, C. Gerada, and M. Galea, "On the design of partial discharge-free low voltage electrical machines," in *Proc. IEEE Int. Electr. Mach. Drives Conf. (IEMDC)*, May 2019, pp. 1837–1842.
- [45] J. Wei, H. Xu, B. Zhou, Z. Zhang, and C. Gerada, "An integrated method for three-phase AC excitation and high-frequency voltage signal injection for sensorless starting of aircraft starter/generator," *IEEE Trans. Ind. Electron.*, vol. 66, no. 7, pp. 5611–5622, Jul. 2019.
- [46] A. Griffo, D. Drury, T. Sawata, and P. H. Mellor, "Sensorless starting of a wound-field synchronous starter/generator for aerospace applications," *IEEE Trans. Ind. Electron.*, vol. 59, no. 9, pp. 3579–3587, Sep. 2012.
- [47] D. Golovanov, L. Papini, D. Gerada, Z. Xu, and C. Gerada, "Multidomain optimization of High-Power-Density PM electrical machines for system architecture selection," *IEEE Trans. Ind. Electron.*, vol. 65, no. 7, pp. 5302–5312, Jul. 2018.
- [48] Y. Zhang, S. McLoone, W. Cao, F. Qiu, and C. Gerada, "Power loss and thermal analysis of a MW high-speed permanent magnet synchronous machine," *IEEE Trans. Energy Convers.*, vol. 32, no. 4, pp. 1468–1478, Dec. 2017.
- [49] A. Yoon, X. Yi, J. Martin, Y. Chen, and K. Haran, "A high-speed, high-frequency, air-core PM machine for aircraft application," in *Proc. IEEE Power Energy Conf. Illinois (PECI)*, Feb. 2016, pp. 1–4.
- [50] A. D. Anderson, Y. Wang, Y. Yu, and K. S. Haran, "Experimental validation of a high-power slotless stator," in *Proc. IEEE Int. Electr. Mach. Drives Conf.*, May 2019, pp. 1564–1569.
- [51] R. Van Millingen and J. van Millingen, "Phase shift torque meters for gas turbine development and monitoring," in *Proc. ASME Int. Gas Turb. Aeroeng. Congr. Expo.*, 1991, pp. 1–10.

- [52] C. P. Mudannayake and M. F. Rahman, "Control design for an induction machine based 42v integrated starter alternator," *IEEE Ind. Appl. Mag.*, vol. 15, no. 4, pp. 14–25, Jul. 2009.
- [53] IOP Institute of Physics. (2020). *Rolls Royce—For the Development of the Embedded Electrical Starter Generator (E2SG)*. [Online]. Available: https://www.iop.org/activity/business/innovation/2017-winners/commended-inno%vation/rolls-royce/page_70258.html#ref
- [54] J.-H. Seo, S.-M. Kim, and H.-K. Jung, "Rotor-design strategy of IPMSM for 42 V integrated starter generator," *IEEE Trans. Magn.*, vol. 46, no. 6, pp. 2458–2461, Jun. 2010.
- [55] S. Bozhko, T. Yang, J.-M. Le Peuvedic, P. Arumugam, M. Degano, A. La Rocca, Z. Xu, M. Rashed, W. Fernando, C. I. Hill, C. Eastwick, S. Pickering, C. Gerada, and P. Wheeler, "Development of aircraft electric starter-generator system based on active rectification technology," *IEEE Trans. Transport. Electric.*, vol. 4, no. 4, pp. 985–996, Dec. 2018.
- [56] E. D. Ganev, "High-performance electric drives for aerospace more electric architectures part i - electric machines," in *Proc. IEEE Power Eng. Soc. Gen. Meeting*, Jun. 2007, pp. 1–8.
- [57] S. F. Clark, "787 propulsion system," *Aero Quart.*, no. 3, pp. 5–13, 2012.
- [58] A. K. Hyder, "A century of aerospace electrical power technology," *J. Propuls. Power*, vol. 19, no. 6, pp. 1155–1179, Nov. 2003.
- [59] J. Leuchter, P. Bauer, V. Verucha, and V. Hajek, "Dynamic behavior modeling and verification of advanced electrical-generator set concept," *IEEE Trans. Ind. Electron.*, vol. 56, no. 1, pp. 266–279, Jan. 2009.
- [60] J. Weimer, "Past, present and future of aircraft electrical power systems," in *Proc. 39th Aerosp. Sci. Meeting Exhibit*, Jan. 2001, p. 1147.
- [61] E. Canfield and J. Summerford, "Variable speed constant frequency (VSCF) aircraft electrical power," SAE Tech. Paper 771002, 1977.
- [62] S. S. Yeoh, M. Rashed, M. Sanders, and S. Bozhko, "Variable-voltage bus concept for aircraft electrical power system," *IEEE Trans. Ind. Electron.*, vol. 66, no. 7, pp. 5634–5643, Jul. 2019.
- [63] D. Izquierdo, A. Barrado, C. Raga, M. Sanz, and A. Lazaro, "Protection devices for aircraft electrical power distribution systems: State of the art," *IEEE Trans. Aerosp. Electron. Syst.*, vol. 47, no. 3, pp. 1538–1550, Jul. 2011.
- [64] J. Falck, C. Felgemacher, A. Rojko, M. Liserre, and P. Zacharias, "Reliability of power electronic systems: An industry perspective," *IEEE Ind. Electron. Mag.*, vol. 12, no. 2, pp. 24–35, Jun. 2018.
- [65] H. Wang, M. Liserre, and F. Blaabjerg, "Toward reliable power electronics: Challenges, design tools, and opportunities," *IEEE Ind. Electron. Mag.*, vol. 7, no. 2, pp. 17–26, Jun. 2013.
- [66] B. S. Bhangu and K. Rajashekara, "Control strategy for electric starter generators embedded in gas turbine engine for aerospace applications," in *Proc. IEEE Energy Convers. Congr. Expo.*, Sep. 2011, pp. 1461–1467.
- [67] X. Zhang, C. L. Bowman, T. C. O'Connell, and K. S. Haran, "Large electric machines for aircraft electric propulsion," *IET Electr. Power Appl.*, vol. 12, no. 6, pp. 767–779, Jul. 2018.
- [68] Z. Zhang, T. Meng, S. Mao, D. Zhao, W. Liu, and N. Jiao, "Steady-state performance evaluations of three-phase brushless asynchronous excitation system for aircraft starter/generator," *IET Electr. Power Appl.*, vol. 10, no. 8, pp. 788–798, Sep. 2016.
- [69] L. Alberti, M. Barcaro, M. D. Pré, A. Faggion, L. Sgarbossa, N. Bianchi, and S. Bolognani, "IPM machine drive design and tests for an integrated starter—Alternator application," *IEEE Trans. Ind. Appl.*, vol. 46, no. 3, pp. 993–1001, Jun. 2010.
- [70] M. C. Kulan, N. J. Baker, and J. D. Widmer, "Design and analysis of compressed windings for a permanent magnet integrated starter generator," *IEEE Trans. Ind. Appl.*, vol. 53, no. 4, pp. 3371–3378, Jul. 2017.
- [71] T. Feehally and J. M. Apsley, "The doubly fed induction machine as an aero generator," *IEEE Trans. Ind. Appl.*, vol. 51, no. 4, pp. 3462–3471, Jul. 2015.
- [72] Y. Jia and K. Rajashekara, "An induction generator-based AC/DC hybrid electric power generation system for more electric aircraft," *IEEE Trans. Ind. Appl.*, vol. 53, no. 3, pp. 2485–2494, May 2017.
- [73] Y. Jia and K. Rajashekara, "Induction machine for more electric aircraft: Enabling new electrical power system architectures," *IEEE Electric. Mag.*, vol. 5, no. 4, pp. 25–37, Dec. 2017.
- [74] C. A. Ferreira, S. R. Jones, W. S. Heglund, and W. D. Jones, "Detailed design of a 30-kW switched reluctance starter/generator system for a gas turbine engine application," *IEEE Trans. Ind. Appl.*, vol. 31, no. 3, pp. 553–561, May 1995.
- [75] P. H. Mellor, S. G. Burrow, T. Sawata, and M. Holme, "A wide-speed-range hybrid variable-reluctance/permanent-magnet generator for future embedded aircraft generation systems," *IEEE Trans. Ind. Appl.*, vol. 41, no. 2, pp. 551–556, Mar. 2005.
- [76] S. G. Burrow, P. H. Mellor, P. Churn, T. Sawata, and M. Holme, "Sensorless operation of a permanent-magnet generator for aircraft," *IEEE Trans. Ind. Appl.*, vol. 44, no. 1, pp. 101–107, Jan. 2008.
- [77] J. Borg Bartolo, M. Degano, J. Espina, and C. Gerada, "Design and initial testing of a high-speed 45-kW switched reluctance drive for aerospace application," *IEEE Trans. Ind. Electron.*, vol. 64, no. 2, pp. 988–997, Feb. 2017.
- [78] H. Dehghani Tafti, A. I. Maswood, Z. Lim, G. H. P. Ooi, and P. H. Raj, "Proportional-resonant controlled NPC converter for more-electric-aircraft starter-generator," in *Proc. IEEE 11th Int. Conf. Power Electron. Drive Syst.*, Jun. 2015, pp. 41–46.
- [79] M. Schweizer, T. Friedli, and J. W. Kolar, "Comparative evaluation of advanced three-phase three-level inverter/converter topologies against two-level systems," *IEEE Trans. Ind. Electron.*, vol. 60, no. 12, pp. 5515–5527, Dec. 2013.
- [80] A. Deshpande, Y. Chen, B. Narayanasamy, Z. Yuan, C. Chen, and F. Luo, "Design of a high-efficiency, high specific-power three-level T-type power electronics building block for aircraft electric-propulsion drives," *IEEE J. Emerg. Sel. Topics Power Electron.*, vol. 8, no. 1, pp. 407–416, Mar. 2020.
- [81] F. Savi, D. Barater, M. D. Nardo, M. Degano, C. Gerada, P. Wheeler, and G. Buticchi, "High-speed electric drives: A step towards system design," *IEEE Open J. Ind. Electron. Soc.*, vol. 1, pp. 10–21, 2020.
- [82] F. Guo, T. Yang, S. Bozhko, and P. Wheeler, "3L-NPC AC-DC power converter using virtual space vector PWM with optimal switching sequence based on g-h coordinate," in *Proc. IEEE Int. Conf. Electr. Syst. Aircr., Railway, Ship Propuls. Road Vehicles Int. Transp. Electric. Conf. (ESARS-ITEC)*, Nov. 2018, pp. 1–7.
- [83] F. Guo, T. Yang, S. Bozhko, and P. Wheeler, "A novel virtual space vector modulation scheme for three-level NPC power converter with neutral-point voltage balancing and common-mode voltage reduction for electric starter/generator system in more-electric-aircraft," in *Proc. IEEE Energy Convers. Congr. Expo. (ECCE)*, Sep. 2019, pp. 1852–1858.
- [84] G. L. Calzo, P. Zanchetta, C. Gerada, A. Gaeta, and F. Crescimbin, "Converter topologies comparison for more electric aircrafts high speed starter/generator application," in *Proc. IEEE Energy Convers. Congr. Expo. (ECCE)*, Sep. 2015, pp. 3659–3666.
- [85] Z. Lim, Y. Liu, L. Zhang, J. Pou, R. Simanjorang, and A. Gupta, "Design of 100 kVA SiC power converter for aircraft electric starter generator," in *Proc. IEEE 4th Southern Power Electron. Conf.*, Dec. 2018, pp. 1–9.
- [86] M. Vijayagopal, C. Silva, L. Empringham, and L. de Lillo, "Direct predictive current-error vector control for a direct matrix converter," *IEEE Trans. Power Electron.*, vol. 34, no. 2, pp. 1925–1935, Feb. 2019.
- [87] J. Lei, B. Zhou, J. Wei, X. Qin, and J. Bian, "Aircraft starter/generator system based on indirect matrix converter," in *Proc. IECON 40th Annu. Conf. IEEE Ind. Electron. Soc.*, Oct. 2014, pp. 4840–4846.
- [88] M. Aten, G. Towers, C. Whitley, P. Wheeler, J. Clare, and K. Bradley, "Reliability comparison of matrix and other converter topologies," *IEEE Trans. Aerosp. Electron. Syst.*, vol. 42, no. 3, pp. 867–875, Jul. 2006.
- [89] P. Wheeler and S. Bozhko, "The more electric aircraft: Technology and challenges," *IEEE Electric. Mag.*, vol. 2, no. 4, pp. 6–12, Dec. 2014.
- [90] E. Ganev, "Selecting the best electric machines for electrical power-generation systems: high-performance solutions for aerospace more electric architectures," *IEEE Electric. Mag.*, vol. 2, no. 4, pp. 13–22, Dec. 2014.
- [91] G. L. Calzo, P. Zanchetta, C. Gerada, A. Lidozzi, M. Degano, F. Crescimbin, and L. Solero, "Performance evaluation of converter topologies for high speed starter/generator in aircraft applications," in *Proc. 40th Annu. Conf. IEEE Ind. Electron. Soc. (IECON)*, Oct. 2014, pp. 1707–1712.
- [92] D. Han, S. Li, W. Lee, and B. Sarlioglu, "Adoption of wide bandgap technology in hybrid/electric vehicles-opportunities and challenges," in *Proc. IEEE Transp. Electric. Conf. Expo (ITEC)*, Jun. 2017, pp. 561–566.
- [93] C. Degoutte, O. Sanchez, J. Renaudin, N. Boukari, P. Decroux, and J. D. Salvany, "Aircraft 270 VDC power distribution improvements using wide band gap semi-conductors," in *Proc. Int. Conf. Electr. Syst. Aircr., Railway, Ship Propuls. Road Vehicles Int. Transp. Electric. Conf. (ESARS-ITEC)*, Nov. 2016, pp. 1–6.
- [94] P. R. Wilson, "Advanced aircraft power electronics systems—The impact of simulation, standards and wide band-gap devices," *CES Trans. Electr. Mach. Syst.*, vol. 1, no. 1, pp. 72–82, 2017.

- [95] S. O'Donnell, J.-L. Debauche, P. Wheeler, and A. Castellazzi, "Silicon carbide MOSFETs in more electric aircraft power converters: The performance and reliability benefits over silicon IGBTs for a specified flight mission profile," in *Proc. 18th Eur. Conf. Power Electron. Appl. (EPE ECCE Eur.)*, Sep. 2016, pp. 1–10.
- [96] D. Zhang, J. He, D. Pan, M. Schutten, and M. Dame, "High power density medium-voltage megawatt-scale power converter for aviation hybrid-electric propulsion applications," in *Proc. IEEE Energy Convers. Congr. Expo. Expo. (ECCE)*, Sep. 2019, pp. 582–588.
- [97] D. Zhang, J. He, and D. Pan, "A megawatt-scale medium-voltage high efficiency high power density 'SiC+Si' hybrid three-level ANPC inverter for aircraft hybrid-electric propulsion systems," *IEEE Trans. Ind. Appl.*, vol. 55, no. 6, pp. 5971–5980, 2019.
- [98] F. Sasongko, P. Yaxin, J. Pou, and R. Simanjorang, "One-kilohertz fundamental frequency operation of a SiC power converter for future aircraft system," in *Proc. Conf. Power Eng. Renew. Energy*, Oct. 2018, pp. 1–6.
- [99] D. R. Meyer, A. Cavallini, L. Lusuardi, D. Barater, G. Pietrini, and A. Soldati, "Influence of impulse voltage repetition frequency on RPDIV in partial vacuum," *IEEE Trans. Dielectrics Electr. Insul.*, vol. 25, no. 3, pp. 873–882, Jun. 2018.
- [100] J. He, C. Li, A. Jassal, N. Thiagarajan, Y. Zhang, S. Prabhakaran, C. Feliz, J. E. Graham, and X. Kang, "Multi-domain design optimization of dV/dt filter for SiC-based three-phase inverters in high-frequency motor-drive applications," *IEEE Trans. Ind. Appl.*, vol. 55, no. 5, pp. 5214–5222, Sep. 2019.
- [101] R. Ruffo, P. Guglielmi, and E. Armando, "Inverter side RL filter precise design for motor overvoltage mitigation in SiC-based drives," *IEEE Trans. Ind. Electron.*, vol. 67, no. 2, pp. 863–873, Feb. 2020.
- [102] T. J. Å. Hammarström, "Partial discharge characteristics within motor insulation exposed to multi-level PWM waveforms," *IEEE Trans. Dielectr. Electr. Insul.*, vol. 25, no. 2, pp. 559–567, Apr. 2018.
- [103] M. Denk and M. M. Bakran, "Partial discharge measurement in a motor winding fed by a sic inverter-how critical is high dV/dt really?" in *Proc. Int. Exhib. Conf. Power Electron. Intell. Motion Renew. Energy Energy Manage.*, 2018, pp. 1–6.
- [104] C. Ledoux, P. Lefranc, and C. Larouci, "Pre-sizing methodology of embedded static converters using a virtual prototyping tool based on an optimisation under constraints method: Comparison of two power-sharing topologies," *IET Electr. Syst. Transp.*, vol. 3, no. 1, pp. 1–9, Mar. 2013.
- [105] L. Kerachev, A. Andreta, Y. Lembeye, and J. Crebier, "A new step towards the power electronics design automation," in *Proc. PCIM Int. Exhibi. Conf. Power Electron., Intell. Motion, Renew. Energy Energy Manage.*, 2017, pp. 1–8.
- [106] H. A. Mantooh, T. Evans, C. Farnell, Q. Le, and R. Murphree, "Emerging trends in silicon carbide power electronics design," *CPSS Trans. Power Electron. Appl.*, vol. 2, no. 3, pp. 161–169, Sep. 2017.
- [107] M. Rosu, P. Zhou, D. Lin, D. M. Ionel, M. Popescu, F. Blaabjerg, V. Rallabandi, and D. Staton, *Multiphysics Simulation by Design for Electrical Machines, Power Electronics and Drives*. Hoboken, NJ, USA: Wiley, 2017.
- [108] Y. Zhang and A. M. Cramer, "Numerical average-value modeling of rotating rectifiers in brushless excitation systems," *IEEE Trans. Energy Convers.*, vol. 32, no. 4, pp. 1592–1601, Dec. 2017.
- [109] J. L. Kirtley, A. Banerjee, and S. Englebretson, "Motors for ship propulsion," *Proc. IEEE*, vol. 103, no. 12, pp. 2320–2332, Dec. 2015.
- [110] T. Oyvang, J. K. Noland, G. J. Heggliid, and B. Lie, "Online model-based thermal prediction for flexible control of an air-cooled hydro-generator," *IEEE Trans. Ind. Electron.*, vol. 66, no. 8, pp. 6311–6320, Aug. 2019.
- [111] T. Oyvang, J. K. Noland, R. Sharma, G. J. Heggliid, and B. Lie, "Enhanced power capability of generator units for increased operational security using NMPC," *IEEE Trans. Power Syst.*, vol. 35, no. 2, pp. 1562–1571, Mar. 2020.
- [112] D. N. Taneja, H. Huang, G. A. Padgett, J. Zywtot, P. J. Wirsch, Jr., and M. A. Abbas, "Dual-structured aircraft engine starter/generator," U.S. Patent 7 687 928, Mar. 30, 2010.
- [113] A. Griffo, R. Wrobel, P. H. Mellor, and J. M. Yon, "Design and characterization of a three-phase brushless exciter for aircraft starter/generator," *IEEE Trans. Ind. Appl.*, vol. 49, no. 5, pp. 2106–2115, Oct. 2013.
- [114] L. Andrade and C. Tenning, "Design of Boeing 777 electric system," *IEEE Aerosp. Electron. Syst. Mag.*, vol. 7, no. 7, pp. 4–11, Jul. 1992.
- [115] D. D. Pollard and G. E. Krajci, "Packaging the VSCF system for an aircraft engine environment," *SAE Trans.*, vol. 90, no. 4, pp. 3537–3548, 1981.
- [116] C. Anghel, "Modeling and simulation of a power generation system with a high power generator," SAE Tech. Paper, 2013.
- [117] J. K. Nøland, S. Nuzzo, A. Tessarolo, and E. F. Alves, "Excitation system technologies for wound-field synchronous machines: Survey of solutions and evolving trends," *IEEE Access*, vol. 7, pp. 109699–109718, 2019.
- [118] S. Kaboli, *Reliability in Power Electronics and Electrical Machines: Industrial Applications and Performance Models: Industrial Applications and Performance Models*. IGI Global, 2016.
- [119] J. K. Noland, F. Evestedt, J. J. Pérez-Loya, J. Abrahamsson, and U. Lundin, "Design and characterization of a rotating brushless outer pole PM exciter for a synchronous generator," *IEEE Trans. Ind. Appl.*, vol. 53, no. 3, pp. 2016–2027, May 2017.
- [120] J. K. Noland, F. Evestedt, J. J. Pérez-Loya, J. Abrahamsson, and U. Lundin, "Testing of active rectification topologies on a six-phase rotating brushless outer pole PM exciter," *IEEE Trans. Energy Convers.*, vol. 33, no. 1, pp. 59–67, Mar. 2018.
- [121] J. K. Noland, K. B. Hjelmervik, and U. Lundin, "Comparison of thyristor-controlled rectification topologies for a six-phase rotating brushless permanent magnet exciter," *IEEE Trans. Energy Convers.*, vol. 31, no. 1, pp. 314–322, Mar. 2016.
- [122] J. K. Noland, F. Evestedt, J. J. Pérez-Loya, J. Abrahamsson, and U. Lundin, "Comparison of thyristor rectifier configurations for a six-phase rotating brushless outer pole PM exciter," *IEEE Trans. Ind. Electron.*, vol. 65, no. 2, pp. 968–976, Feb. 2018.
- [123] Y. Zhao, H. Wang, D. Li, and R. Qian, "Comparative research of a wound-field doubly salient generator with different rectifiers," *IEEE Trans. Ind. Informat.*, vol. 14, no. 11, pp. 4851–4863, Nov. 2018.
- [124] M. Weiming, H. An, L. Dezhi, and Z. Gaifan, "Stability of a synchronous generator with diode-bridge rectifier and back-EMF load," *IEEE Trans. Energy Convers.*, vol. 15, no. 4, pp. 458–463, Dec. 2000.
- [125] S. Jordan, C. D. Manolopoulos, and J. M. Apsley, "Winding configurations for five-phase synchronous generators with diode rectifiers," *IEEE Trans. Ind. Electron.*, vol. 63, no. 1, pp. 517–525, Jan. 2016.
- [126] J. K. Noland, F. Evestedt, and U. Lundin, "Active current sharing control method for rotating thyristor rectifiers on brushless dual-star exciters," *IEEE Trans. Energy Convers.*, vol. 33, no. 2, pp. 893–896, Jun. 2018.
- [127] J. K. Noland, E. F. Alves, A. Pardini, and U. Lundin, "Unified reduced model for a dual-control scheme of the high-speed response brushless excitation system of synchronous generators," *IEEE Trans. Ind. Electron.*, vol. 67, no. 6, pp. 4474–4484, Jun. 2020.
- [128] J. K. Noland, F. Evestedt, and U. Lundin, "Failure modes demonstration and redundant postfault operation of rotating thyristor rectifiers on brushless dual-star exciters," *IEEE Trans. Ind. Electron.*, vol. 66, no. 2, pp. 842–851, Feb. 2019.
- [129] J. Wei, H. Xue, B. Zhou, Z. Zhang, and T. Yang, "Rotor position estimation method for brushless synchronous machine based on second-order generated integrator in the starting mode," *IEEE Trans. Ind. Electron.*, vol. 67, no. 7, pp. 6135–6146, Jul. 2020.
- [130] N. Jiao, W. Liu, T. Meng, C. Sun, and Y. Jiang, "Decoupling control for aircraft brushless wound-rotor synchronous starter-generator in the starting mode," *J. Eng.*, vol. 2018, no. 13, pp. 581–586, Jan. 2018.
- [131] D. C. Ludois, J. K. Reed, and K. Hanson, "Capacitive power transfer for rotor field current in synchronous machines," *IEEE Trans. Power Electron.*, vol. 27, no. 11, pp. 4638–4645, Nov. 2012.
- [132] J. Dai, S. Hagen, D. C. Ludois, and I. P. Brown, "Synchronous generator brushless field excitation and voltage regulation via capacitive coupling through journal bearings," *IEEE Trans. Ind. Appl.*, vol. 53, no. 4, pp. 3317–3326, Jul. 2017.
- [133] A. Tessarolo and A. N. Alcaso, *High-Power Synchronous Machine Drives—Diagnosis and Fault Tolerance of Electrical Machines, Power Electronics and Drives*. Edison, NJ, USA: IET, 2018, pp. 121–194.
- [134] B. Sarlioglu, "A novel control scheme to increase electrical torque of a drive system for aircraft main engine and apu start," SAE Tech. Paper 2006-01-3070, Nov. 2006, doi: 10.4271/2006-01-3070.
- [135] A. Maalouf, L. Idkhajine, S. Le Ballois, and E. Monmasson, "Field programmable gate array-based sensorless control of a brushless synchronous starter generator for aircraft application," *IET Electr. Power Appl.*, vol. 5, no. 1, pp. 181–192, Jan. 2011.
- [136] J. Pang, W. Liu, N. Jiao, J. Wang, and P. Ma, "Calculation of cross-coupling inductance and electromagnetic torque in wound-rotor synchronous starter/generator," *IEEE Trans. Ind. Electron.*, vol. 66, no. 7, pp. 5115–5123, Jul. 2019.
- [137] J. Li, Z. Zhang, J. Lu, Y. Liu, and Z. Chen, "Design and characterization of a single-phase main exciter for aircraft wound-rotor synchronous starter-generator," *IEEE Trans. Magn.*, vol. 54, no. 11, pp. 1–5, Nov. 2018.

- [138] W. J. Shilling and D. E. Baker, "Starter generator system with two stator exciter windings," U.S. Patent 4743777, May 10, 1988.
- [139] N. Jiao, W. Liu, T. Meng, J. Peng, and S. Mao, "Design and control of a two-phase brushless exciter for aircraft wound-rotor synchronous starter/generator in the starting mode," *IEEE Trans. Power Electron.*, vol. 31, no. 6, pp. 4452–4461, Jun. 2016.
- [140] N. Jiao, W. Liu, T. Meng, J. Peng, and S. Mao, "Detailed excitation control methods for two-phase brushless exciter of the wound-rotor synchronous starter/generator in the starting mode," *IEEE Trans. Ind. Appl.*, vol. 53, no. 1, pp. 115–123, Jan. 2017.
- [141] T. Meng, W. Liu, N. Jiao, X. Han, R. Wang, and Y. Jiang, "Rotor position estimation for aviation three-stage starter/generators in the low-speed region without high-frequency signal injection," *IEEE Trans. Power Electron.*, vol. 35, no. 8, pp. 8405–8416, Aug. 2020.
- [142] N. Jiao, W. Liu, T. Meng, C. Sun, and Y. Jiang, "Decoupling start control method for aircraft wound-rotor synchronous starter-generator based on main field current estimation," *IET Electr. Power Appl.*, vol. 13, no. 7, pp. 863–870, Jul. 2019.
- [143] T. Meng, W. Liu, X. Han, N. Jiao, J. Peng, and Y. Jiang, "Multi-stage-structure-based rotor position estimation for a wound-field synchronous starter/generator in the low-speed region," *IEEE Trans. Power Electron.*, vol. 34, no. 12, pp. 12095–12105, Dec. 2019.
- [144] S. Mao, W. Liu, Z. Chen, N. Jiao, and J. Peng, "Rotor position estimation of brushless synchronous starter/generators by using the main exciter as a position sensor," *IEEE Trans. Power Electron.*, vol. 35, no. 1, pp. 800–815, Jan. 2020.
- [145] P. C. Kjaer, T. Kjellqvist, and C. Delaloye, "Estimation of field current in vector-controlled synchronous machine variable-speed drives employing brushless asynchronous exciters," *IEEE Trans. Ind. Appl.*, vol. 41, no. 3, pp. 834–840, May 2005.
- [146] A. Deriszadeh, O. Karabasoglu, and S. B. Ozturk, "Excitation procedure for brushless wound-rotor synchronous starter generator with seamless transitions," *IET Power Electron.*, vol. 12, no. 11, pp. 2873–2883, Sep. 2019.
- [147] J. Li, Z. Zhang, J. Lu, H. Li, and Z. Chen, "Investigation and analysis of a new shaded-pole main exciter for aircraft starter-generator," *IEEE Trans. Magn.*, vol. 53, no. 11, pp. 1–4, Nov. 2017.
- [148] N. Jiao, W. Liu, Z. Zhang, T. Meng, J. Peng, and Y. Jiang, "Field current estimation for wound-rotor synchronous starter-generator with asynchronous brushless exciters," *IEEE Trans. Energy Convers.*, vol. 32, no. 4, pp. 1554–1561, Dec. 2017.
- [149] J. Wei, Q. Zheng, M. Shi, B. Zhou, and J. Li, "The excitation control strategy of the three-stage synchronous machine in the start mode," in *Proc. IEEE Appl. Power Electron. Conf. Expo.*, Mar. 2014, pp. 2469–2474.
- [150] L. Xu, D. D. Karipides, M. Abbas, and H. Huang, "Method and systems for an engine starter/generator," U.S. Patent 8030788, Oct. 4, 2011.
- [151] R. Bojoi, A. Cavagnino, A. Tenconi, and S. Vaschetto, "Control of shaft-line-embedded multiphase starter/generator for aero-engine," *IEEE Trans. Ind. Electron.*, vol. 63, no. 1, pp. 641–652, Jan. 2016.
- [152] H. Liu, F. Bu, W. Huang, L. Liu, Y. Hu, M. Degano, and C. Gerada, "Control strategy for five-phase dual-stator winding induction starter/generator system," *IEEE Trans. Ind. Electron.*, vol. 67, no. 4, pp. 2607–2617, Apr. 2020.
- [153] N.-U.-R. Malik and I. Husain, "Dynamic and steady-state 3-D thermal design and investigation of the rotating power electronic IGBT converter," *IEEE J. Emerg. Sel. Topics Power Electron.*, vol. 4, no. 2, pp. 679–688, Jun. 2016.
- [154] L. Chedot, G. Friedrich, J.-M. Biedinger, and P. Macret, "Integrated starter generator: The need for an optimal design and control Approach. Application to a permanent magnet machine," *IEEE Trans. Ind. Appl.*, vol. 43, no. 2, pp. 551–559, Mar. 2007.
- [155] S. Bozhko, M. Rashed, C. I. Hill, S. S. Yeoh, and T. Yang, "Flux-weakening control of electric starter-generator based on permanent-magnet machine," *IEEE Trans. Transport. Electric.*, vol. 3, no. 4, pp. 864–877, Dec. 2017.
- [156] S. Li, S. Zhang, T. G. Habetler, and R. G. Harley, "Modeling, design optimization, and applications of switched reluctance machines—A review," *IEEE Trans. Ind. Appl.*, vol. 55, no. 3, pp. 2660–2681, May 2019.
- [157] C. R. Avery, S. G. Burrow, and P. H. Mellor, "Electrical generation and distribution for the more electric aircraft," in *Proc. 42nd Int. Universities Power Eng. Conf.*, Sep. 2007, pp. 1007–1012.
- [158] J. Bryan, *Service Factor: What is it What Does It Do?* St. Louis, MO, USA: EASA, 2015.
- [159] *Department of Defense Interface Standard: Aircraft Electric Power Characteristics*, Standard Mil-704f, United States Military Standard, 2004.
- [160] E. D. Ganey, "Advanced electric generators for aerospace more electric architectures," SAE Tech. Paper 2010-01-1758, 2010.
- [161] L. Papini, T. Raminosoa, D. Gerada, and C. Gerada, "A high-speed permanent-magnet machine for fault-tolerant drivetrains," *IEEE Trans. Ind. Electron.*, vol. 61, no. 6, pp. 3071–3080, Jun. 2014.
- [162] C. Ferreira and E. Richter, "Detailed design of a 250-kw switched reluctance starter/generator for an aircraft engine," *SAE Trans.*, vol. 102, no. 1, pp. 289–300, 1993.
- [163] C. A. Ferreira and J. A. Buerosse, "Switched reluctance machine capable of improved fault operation," U.S. Patent 5737164, Apr. 7, 1998.
- [164] S. R. Macminn and W. D. Jones, "A very high speed switched-reluctance starter-generator for aircraft engine applications," in *Proc. IEEE Nat. Aerosp. Electron. Conf.*, May 1989, pp. 1758–1764.
- [165] A. G. Jack, B. C. Mecrow, and J. A. Haylock, "A comparative study of permanent magnet and switched reluctance motors for high-performance fault-tolerant applications," *IEEE Trans. Ind. Appl.*, vol. 32, no. 4, pp. 889–895, Jul. 1996.
- [166] W. Hua, G. Zhao, H. Hua, and M. Cheng, "General power equation of switched reluctance machines and power density comparison," *IEEE Trans. Ind. Appl.*, vol. 53, no. 5, pp. 4298–4307, Sep. 2017.
- [167] J. L. Felder, G. V. Brown, H. D. Kim, and J. Chu, "Turboelectric distributed propulsion in a hybrid wing body aircraft," in *Proc. 20th Int. Soc. Airbreathing Engines*, 2011, pp. 1–20.
- [168] J. F. Gieras, "Multimegawatt synchronous generators for airborne applications: A review," in *Proc. Int. Electric Mach. Drives Conf.*, May 2013, pp. 626–633.
- [169] T. A. Lipo and I. Alan, "Starter/generator employing resonant-converter-fed induction machine. I. Analysis," *IEEE Trans. Aerosp. Electron. Syst.*, vol. 36, no. 4, pp. 1309–1328, Oct. 2000.
- [170] J. Vaidya and E. Gregory, "High speed induction generator for applications in aircraft power systems," *SAE Trans.*, vol. 113, no. 1, pp. 1830–1836, 2004.
- [171] G. Smith, D. Halsey, and E. P. Hoffman, "Integrated power unit-advanced development," SAE Tech. Paper 981281, Apr. 1998.
- [172] A. Balachandran, M. Boden, Z. Sun, S. J. Forrest, J. D. Ede, and G. W. Jewell, "Design, construction, and testing of an aero-engine starter-generator for the more-electric aircraft," *J. Eng.*, vol. 2019, no. 17, pp. 3474–3478, Jun. 2019.
- [173] Z. Zhang, J. Huang, Y. Jiang, W. Geng, and Y. Xu, "Overview and analysis of pm starter/generator for aircraft electrical power systems," *CES Trans. Electr. Mach. Syst.*, vol. 1, no. 2, pp. 117–131, 2017.
- [174] P. Arumugam, C. Gerada, S. Bozhko, H. Zhang, W. Fernando, A. La Rocca, and S. Pickering, "Permanent magnet starter-generator for aircraft application," SAE Tech. Paper 2014-01-2157, 2014.
- [175] E. Ganey, "High-reactance permanent magnet machine for high-performance power generation systems," *SAE Trans.*, vol. 115, no. 1, pp. 888–897, 2006.
- [176] V. Valdivia, R. Todd, F. J. Bryan, A. Barrado, A. Lazaro, and A. J. Forsyth, "Behavioral modeling of a switched reluctance generator for aircraft power systems," *IEEE Trans. Ind. Electron.*, vol. 61, no. 6, pp. 2690–2699, Jun. 2014.
- [177] K. Vijayakumar, R. Karthikeyan, S. Paramasivam, R. Arumugam, and K. N. Srinivas, "Switched reluctance motor modeling, design, simulation, and analysis: A comprehensive review," *IEEE Trans. Magn.*, vol. 44, no. 12, pp. 4605–4617, Dec. 2008.
- [178] E. Richter and C. Ferreira, "Performance evaluation of a 250 kW switched reluctance starter generator," in *Proc. Conf. Rec. IEEE Ind. Appl. Conf. 13th IAS Annu. Meeting (IAS)*, vol. 1, Oct. 1995, pp. 434–440.
- [179] T. Sawata, P. C. Kjaer, C. Cossar, T. J. E. Miller, and Y. Hayashi, "Fault-tolerant operation of single-phase SR generators," *IEEE Trans. Ind. Appl.*, vol. 35, no. 4, pp. 774–781, Jul. 1999.
- [180] C. Gan, Y. Chen, R. Qu, Z. Yu, W. Kong, and Y. Hu, "An overview of fault-diagnosis and fault-tolerance techniques for switched reluctance machine systems," *IEEE Access*, vol. 7, pp. 174822–174838, 2019.
- [181] W. Ding and D. Liang, "A fast analytical model for an integrated switched reluctance starter/generator," *IEEE Trans. Energy Convers.*, vol. 25, no. 4, pp. 948–956, Dec. 2010.
- [182] L. Yu, Z. Zhang, D. Gerada, and C. Gerada, "Performance comparison of doubly salient reluctance generators for high-voltage DC power system of more electric aircraft," in *Proc. IEEE Int. Conf. Electr. Syst. Aircr., Railway, Ship Propuls. Road Vehicles Int. Transp. Electric. Conf. (ESARS-ITEC)*, Nov. 2018, pp. 1–6.

- [183] W. Jia, L. Xiao, and D. Zhu, "Core-loss analysis of high-speed doubly salient electromagnetic machine for aeronautic starter/generator application," *IEEE Trans. Ind. Electron.*, vol. 67, no. 1, pp. 59–68, Jan. 2020.
- [184] N. Schofield and S. Long, "Generator operation of a switched reluctance starter/generator at extended speeds," *IEEE Trans. Veh. Technol.*, vol. 58, no. 1, pp. 48–56, Jan. 2009.
- [185] J. Y. Loh, M. A. Prabhu, S. Wang, S. C. Joshi, V. Viswanathan, and S. Ramakrishna, "Optimal segmented rotor design for the embedded electrical machine for the more electric aircraft," *J. Eng.*, vol. 2019, no. 17, pp. 4321–4324, Jun. 2019.
- [186] K. S. Haran, S. Kalsi, T. Arndt, H. Karmaker, R. Badcock, B. Buckley, T. Haugan, M. Izumi, D. Loder, J. W. Bray, P. Masson, and E. W. Stautner, "High power density superconducting rotating machines—Development status and technology roadmap," *Supercond. Sci. Tech.*, vol. 30, no. 12, 2017, p. 123002.
- [187] P. J. Masson and C. A. Luongo, "High power density superconducting motor for all-electric aircraft propulsion," *IEEE Trans. Applied Supercond.*, vol. 15, no. 2, pp. 2226–2229, Jun. 2005.
- [188] X. Song, C. Bührer, P. Brutsaert, A. Ammar, J. Krause, A. Bergen, T. Winkler, M. Dhalle, J. Hansen, A. V. Rebsdorf, S. Wessel, M. T. Brake, M. Bauer, J. Kellers, J. Wiezoreck, H. Putz, H. Kyling, H. Boy, and E. Seitz, "Ground testing of the world's first MW-class direct-drive superconducting wind turbine generator," *IEEE Trans. Energy Convers.*, vol. 35, no. 2, pp. 757–764, Jun. 2020.
- [189] R. Radebaugh, "Cryocoolers for aircraft superconducting generators and motors," *AIP Conf. Proc.*, vol. 1434, no. 1, pp. 171–182, 2012.
- [190] A. El-Refaie and M. Osama, "High specific power electrical machines: A system perspective," *CES Trans. Electr. Mach. Syst.*, vol. 3, no. 1, pp. 88–93, Mar. 2019.
- [191] A. Saleem, Y. Zhang, H. Gong, and M. K. Majeed, "Fluoride doped SiC/Si₃N₄ composite as a high thermal conductive material with enhanced mechanical properties," *Ceram. Int.*, vol. 45, no. 16, pp. 21004–21010, 2019.
- [192] C. Liu, Z. Xu, D. Gerada, J. Li, C. Gerada, Y. C. Chong, M. Popescu, J. Goss, D. Staton, and H. Zhang, "Experimental investigation on oil spray cooling with hairpin windings," *IEEE Trans. Ind. Electron.*, vol. 67, no. 9, pp. 7343–7353, Sep. 2020.
- [193] J. Jiang, M. Zhao, Z. Wen, C. Zhang, and R. Albarracín, "Detection of DC series arc in more electric aircraft power system based on optical spectrometry," *High Voltage*, vol. 5, no. 1, pp. 24–29, Feb. 2020.
- [194] A. Bardalai, D. Gerada, D. Golovanov, Z. Xu, X. Zhang, J. Li, H. Zhang, and C. Gerada, "Reduction of winding AC losses by accurate conductor placement in high frequency electrical machines," *IEEE Trans. Ind. Appl.*, vol. 56, no. 1, pp. 183–193, Jan. 2020.



MATTEO LEANDRO (Graduate Student Member, IEEE) received the M.Sc. degree in electrical energy engineering from the University of Padova, Padua, Italy, in 2019. He is currently pursuing the Ph.D. degree with the Department of Electric Power Engineering, Norwegian University of Science and Technology (NTNU), Trondheim, Norway. He is cooperating closely with Alva Industries AS, Trondheim, where his research is applied to analytical modeling and digital twin development of electric drives using slotless machines. His aim is to move towards the development of lightweight coreless machines for aerial propulsion systems. His current research interests include analytical formulations for electrical machine analysis, slotless machines, and multiphysics. He regularly serves as a reviewer for several the IEEE journals and conferences.



JON ARE SUUL (Member, IEEE) received the M.Sc. degree in energy and environmental engineering and the Ph.D. degree in electric power engineering from the Norwegian University of Science and Technology (NTNU), Trondheim, Norway, in 2006 and 2012, respectively. From 2006 to 2007, he was with the SINTEF Energy Research, Trondheim, where he was working in simulation of power electronic converters and marine propulsion systems. Since 2012 he has been a Research Scientist with SINTEF Energy Research, first in part-time position until 2016 while being a part-time Postdoctoral Researcher with the Department of Electric Power Engineering, NTNU. Since 2017, he is also an Adjunct Associate Professor with the Department of Engineering Cybernetics, NTNU. His current research interests include modeling, analysis, and control of power electronic converters in power systems, renewable energy applications, and for electrification of transport. He serves as an Associate Editor for the IEEE JOURNAL OF EMERGING AND SELECTED TOPICS IN POWER ELECTRONICS, and the IEEE Journal of Emerging and Selected Topics in Industrial Electronics.



JONAS KRISTIANSEN NØLAND (Member, IEEE) received the M.Sc. degree in electric power engineering from the Chalmers University of Technology, Gothenburg, Sweden, in 2013, and the Ph.D. degree in engineering physics from Uppsala University, Uppsala, Sweden, in 2017. In 2017, he was an Associate Professor with the University of South-Eastern Norway (USN). Since December 2018, he has been an Associate Professor with the Department of Electric Power Engineering, Norwegian University of Science and Technology (NTNU). He has been actively involved in the grid standardization of new excitation system technologies. His current research interests include excitation systems, improved utilization of electrical machines, high-power machinery for aircraft applications, and transportation electrification in general. He is a member of the IEEE Transportation Electrification Community (TEC), the IEEE Industrial Electronics Society (IES), the IES Electric Machines Technical Committee, the IEEE Industry Applications Society (IAS), and the IEEE Power and Energy Society (PES). He is also a Board Member with the Norwegian Academic Committee of Publication in Technology in Electrical Power Engineering. He is the Vice-Chair of the IEEE Power and Energy Chapter of Norway. He serves as an Editor for the IEEE TRANSACTIONS ON ENERGY CONVERSION.



MARTA MOLINAS (Member, IEEE) received the Diploma degree in electromechanical engineering from the National University of Asuncion, San Lorenzo, Paraguay, in 1992, the M.E. degree from the University of the Ryukyus, Nishihara, Japan, in 1997, and the Ph.D. degree from the Tokyo Institute of Technology, Tokyo, Japan, in 2000. She has been a Guest Researcher with the University of Padova, Padua, Italy, in 1998. She was a Postdoctoral Researcher, from 2004 to 2007, and a Professor, from 2008 to 2014, with the Department of Electric Power Engineering, Norwegian University of Science and Technology (NTNU), Trondheim, Norway. She is currently a Professor with the Department of Engineering Cybernetics, NTNU. Her current research interests include stability of power electronics systems, harmonics, instantaneous frequency, and nonstationary signals from the human and the machine. She was a JSPS Fellow, Japan, from 2008 to 2009. She serves as an Editor for the IEEE JOURNAL OF EMERGING AND SELECTED TOPICS IN POWER ELECTRONICS and the IEEE TRANSACTIONS ON ENERGY CONVERSION. She also serves as an Associate Editor for the IEEE TRANSACTIONS ON POWER ELECTRONICS and the IEEE TRANSACTIONS ON INDUSTRIAL ELECTRONICS.

• • •